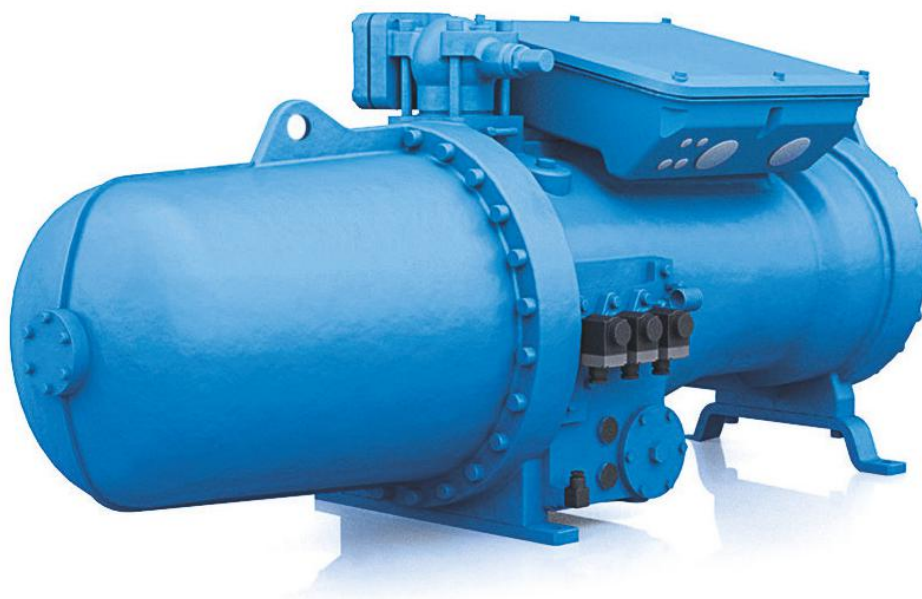


COMPACT CX SERIES

Screw compressors for air conditioning



50Hz & 60Hz

frascold[®]
Blue is better

INDEX

| | |
|----|-----------------------------------|
| 4 | About the Company |
| 5 | Segments and Solutions |
| 6 | CX Compact Screw |
| 14 | Technical Data & Operating Limits |
| 24 | Technical Drawings and Dimensions |
| 41 | Contact us |

ABOUT THE COMPANY

Frascold manufactures over 70,000 screw and reciprocating compressors a year. Our 53,000 m² factory outside of Milan (Italy) houses our advanced engineering, manufacturing and testing facilities. More than 200 employees work in the Headquarters and in the Subsidiaries based in the United States, China and India, with distribution partners and service centers in 86 countries.

4

53.000 sqm factory outside Milan (Italy) hosting our advanced engineering manufacturing and testing facilities. ①

② **More than 200 employees** working in Italy, China, India and United States.

③ **Over 70.000 screw and reciprocating compressors** manufactured every year.

④ **Distribution partners and service centers** in **86** countries.

More than 85 years ago Frascold was born as a small family owned Company developing solutions in refrigeration and conditioning industry. Today we invest more and more in people, products, technologies and services aiming to become the best partner for our Customers and the touchstone for the market.

GIUSEPPE GALLI - Frascold Executive Managing Director

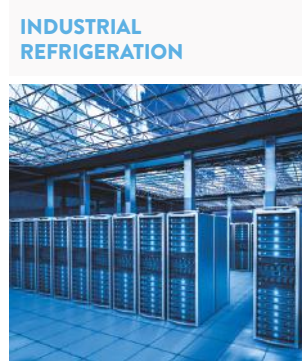
SEGMENTS



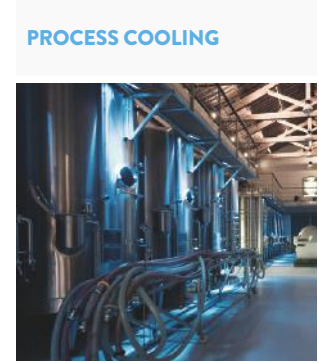
COMFORT



COMMERCIAL & TRANSPORT REFRIGERATION



INDUSTRIAL REFRIGERATION



PROCESS COOLING

SOLUTIONS

Cooling capacity range @50Hz & @60Hz



SCREW COMPRESSORS

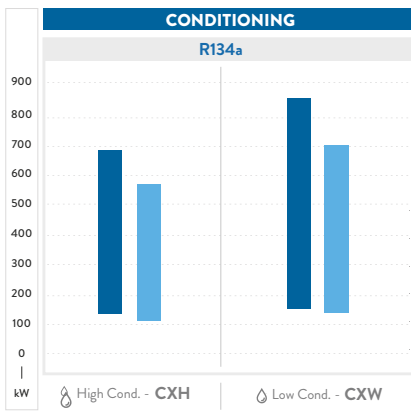


RECIPROCATING COMPRESSORS

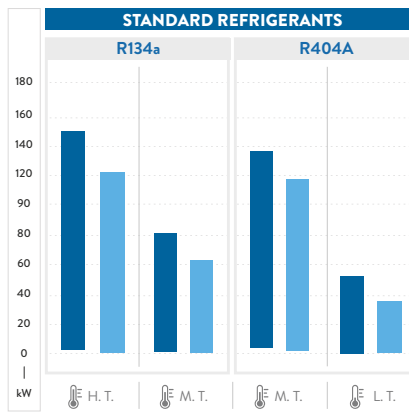


CONDENSING UNITS

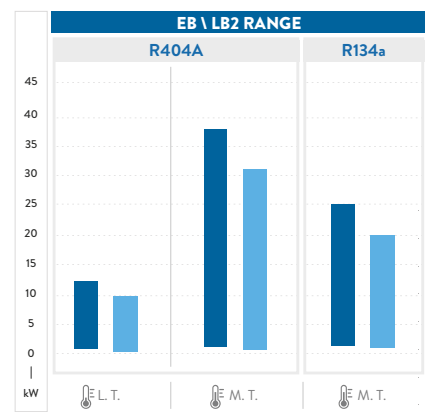
60Hz 50Hz



Testing conditions data reference:
 H. Cond.: evap. T. +2°C; cond. T. +50°C; superheating 10K; subcooling 5K
 L. Cond.: evap. T. +3°C; cond. T. +38°C; superheating 10K; subcooling 5K

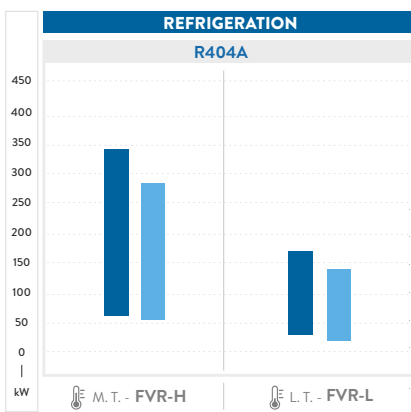


Testing conditions data reference:
 H.T.: evap. T. +5°C; cond. T. +50°C
 M.T.: evap. T. -10°C; cond. T. +45°C
 L.T.: evap. T. -35°C; cond. T. +40°C

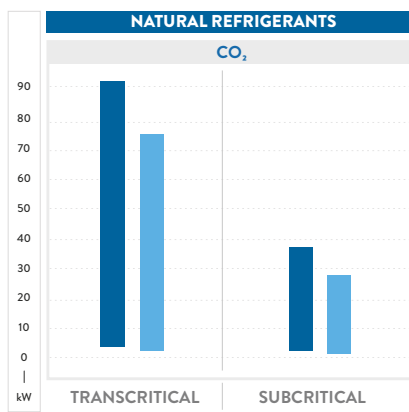


Testing conditions data reference:
 M.T.: cooling capacity @32°C ambient T.; evap. T. -10°C
 L.T.: cooling capacity @32°C ambient T.; evap. T. -35°C

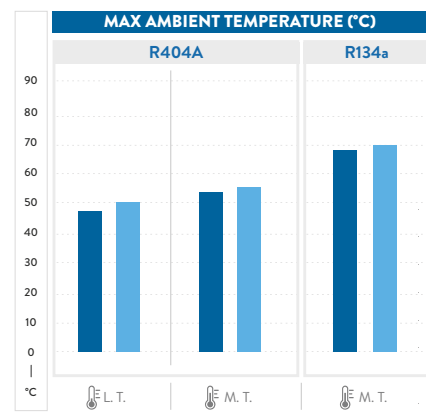
5



Testing conditions data reference:
 M.T.: evap. T. -10°C; cond. T. +45°C
 L.T.: evap. T. -35°C; cond. T. +40°C ECO



Testing conditions data reference:
 Transcritical: Evap. T. -10°C; Gas cooler out T. 33°C;
 Gas cooler pressure 83,7 bar; Superheating 10K;
 Subcritical: Evap T. -30°C, Cond. T. +10°C; Superheating 10K;



Testing conditions data reference:
 M.T.: evap. T. -10°C
 L.T.: evap. T. -35°C



CX COMPACT SCREW COMPRESSORS FOR AIR CONDITIONING

Fracold CX compact screw compressors range has been designed to grant the maximum efficiency, reliability and flexibility. Currently the range consists of 19 swept volumes, which cover not only a wide cooling capacity range but also an extremely various application range (air conditioning, process cooling, heat pumps and even refrigeration at medium evaporating temperatures).

FEATURES & BENEFITS



High flexibility

Different versions and/or options widen the application envelope and assure always the best performances.



High Efficiency

All possible configurations grant the highest efficiency both at design (COP/EER) and seasonal (ESEER/IPLV) conditions, thanks to the optimized fluid dynamics and the latest design and manufacturing technologies.



Very Quiet Operation

N-type screws a pure rolling motion, doublewall compression chamber and hydraulic capacity control achieved through ultra-low friction bearings deliver the lowest levels of noise and vibrations.



Axial suction connection (Option)

Standard over 912m³/h and optional up to 912 m³/h.



Excellent Reliability

Designed for heavy-duty operation and equipped with top quality components.



Safe operation

The advanced controller INT69FRY ensures monitoring and protection.



Very Low Oil Carryover

Sophisticated 3-step oil separation (Venturi effect section, centrifugal pipe, demister). "P" version is meant for flooded evaporators and/or parallel compound and requires an external oil separator.



Long life

Generously sized bearings, both for loads and life.



Easy installation and accessibility

All main fittings and checks on just one side.



Inverter matching

External VFD makes it possible to increase drastically the efficiency at part loads.

CONFORMITY DECLARATION

Fracold CX compact screw compressors are intended for installation in refrigeration systems. The machine or partly completed machines shall comply with local safety regulation and standards of the place of installation (within the EU according to the EU Directives 2006/42/EC Machinery Directive, 2014/68/EU Pressure Equipment, 2006/95/EC Low Voltage Directive). They may be put into operation only if the compressor has been installed in accordance with these assembly instructions.

Commissioning is only possible if the entire system into which it is integrated has been inspected and approved in accordance to the provisions of legal regulations.

The Manufacturer Declaration, describes the standards to be applied.

The Manufacturer Declaration of incorporation, according to the 2006/42/EC, is available at: www.frascold.it

PERFORMANCE DATA FSS3 SOFTWARE

8

Please refer to our FSS3 to check performances of all our compressors.



①

① Operating limits



②

② Cooling capacity



③

③ All operating data with any kind of refrigerant



④

④ European standard EN12900 at 50Hz



⑤

⑤ Technical information



⑥

⑥ Drawings



⑦

⑦ Manuals



⑧

⑧ Catalogues and certifications

CONTROL PROTECTION DEVICE

Standard compressor protection:

All the compressors are supplied complete with an **INT69 FRY** electronic protection module connected to a chain of PTC thermistors inserted into the electric motor, and a thermistor sensor positioned on the discharge temperature control output. If a problem is encountered, the module will shut the compressor down to prevent damage.

Optional compressor protection:

Optionally, all compressors can be equipped with the new **Kriwan INT69 FRYL® Diagnose** protection module. This adds data logging, diagnostic, and protection features that can improve the reliability and service life of the compressor. Logged data can be used to aid in system optimization, identify problems and prevent malfunctions before they happen. The **INT69 FRYL® Diagnose** protection device has a dedicated connection port for the following compressor protection devices:

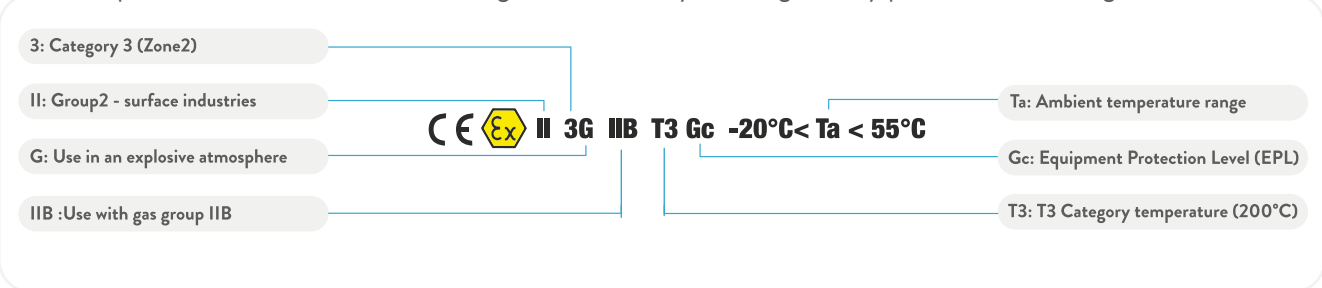
- Thermistor PTC (1, 2)
- Discharge temperature sensor (3, 4)
- Oil level check (5, 6)
- Oil filter clogging sensor (7, 8)
- Oil flowswitch (9, 10)



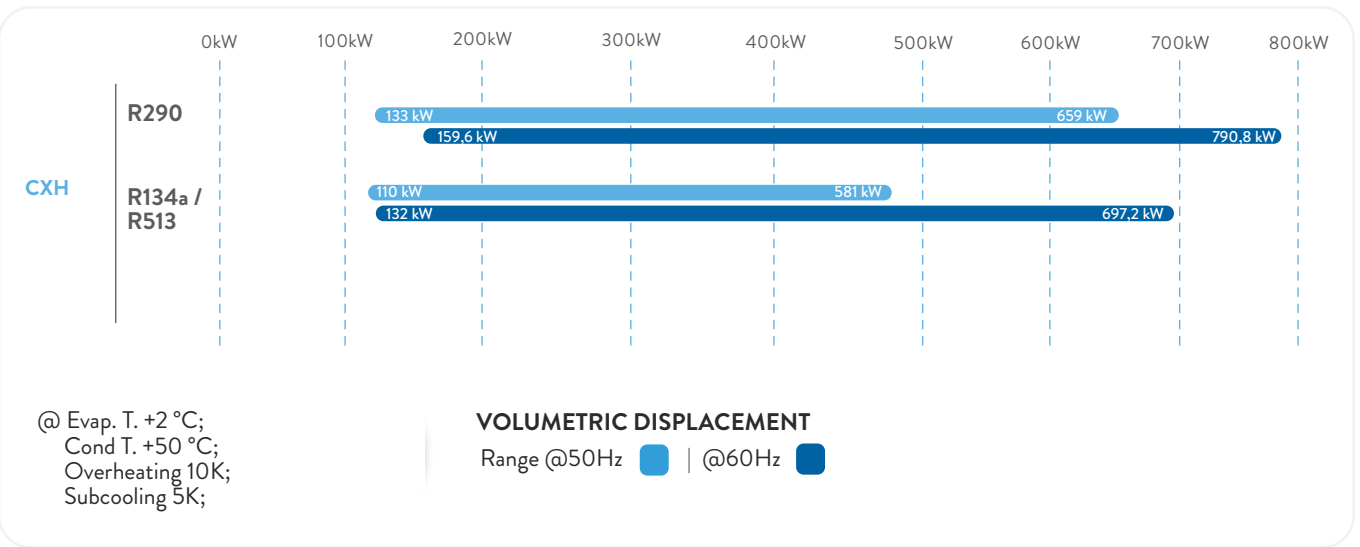
ATEX

The ATEX directive (2014/34/EU) is a certification for equipment and protective systems intended for use in potentially explosive atmospheres, caused by the presence of gases or solid dust. **Our complete range of reciprocating and screw compressors (CX and FVR) is 100% certified in category 3G: devices or protection systems that guarantee a very high level of protection Zone 2: an area where an explosive atmosphere may be present, but only in rare cases or for short periods.**

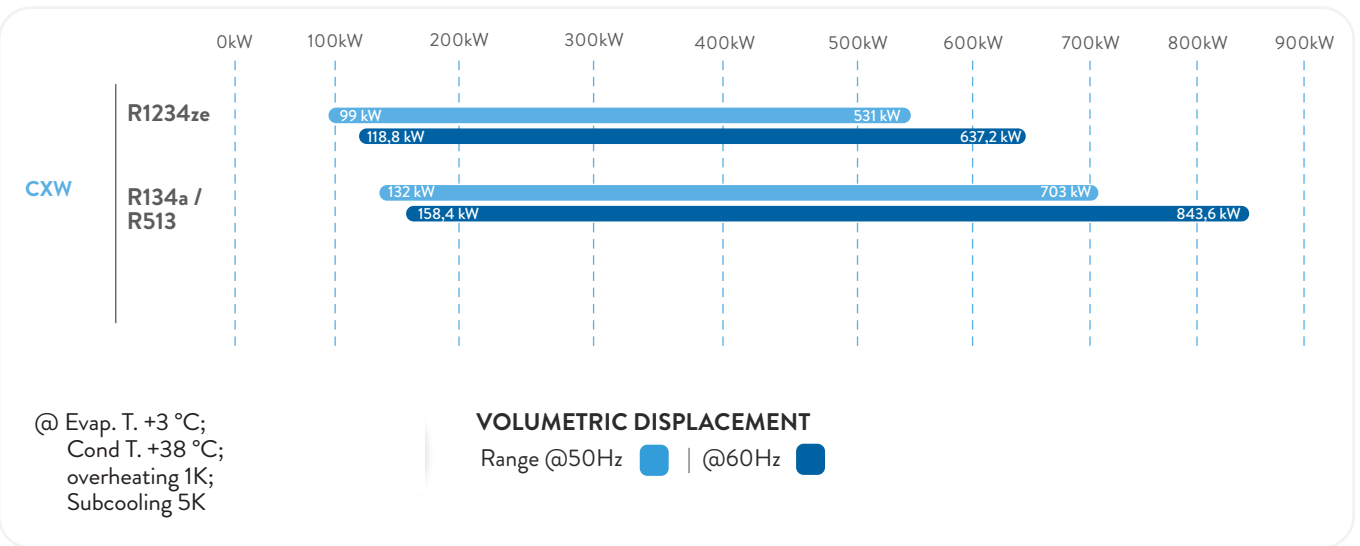
The compressor label includes the following ATEX assembly marking, usually placed on the wiring box:



COOLING CAPACITY



10



LEGAL DISCLAIMER:

While Frascold has made every effort at the time of publication to ensure the accuracy of the information provided herein, product specifications and performances could be subject to change without notice.

You can find the most updated information in our Product Selection Software FSS3 at the link:

<https://www.frascold.it/en/software>

PRODUCT RANGE

COMPACT SCREW MODELS RANGE

Low compression ratio

High compression ratio

CXW.1

CXH.1

Motor 1

CXW.2

CXH.2

Motor 2

CXH CXW

Available version:

P: For flooded evaporator and/or parallel compound

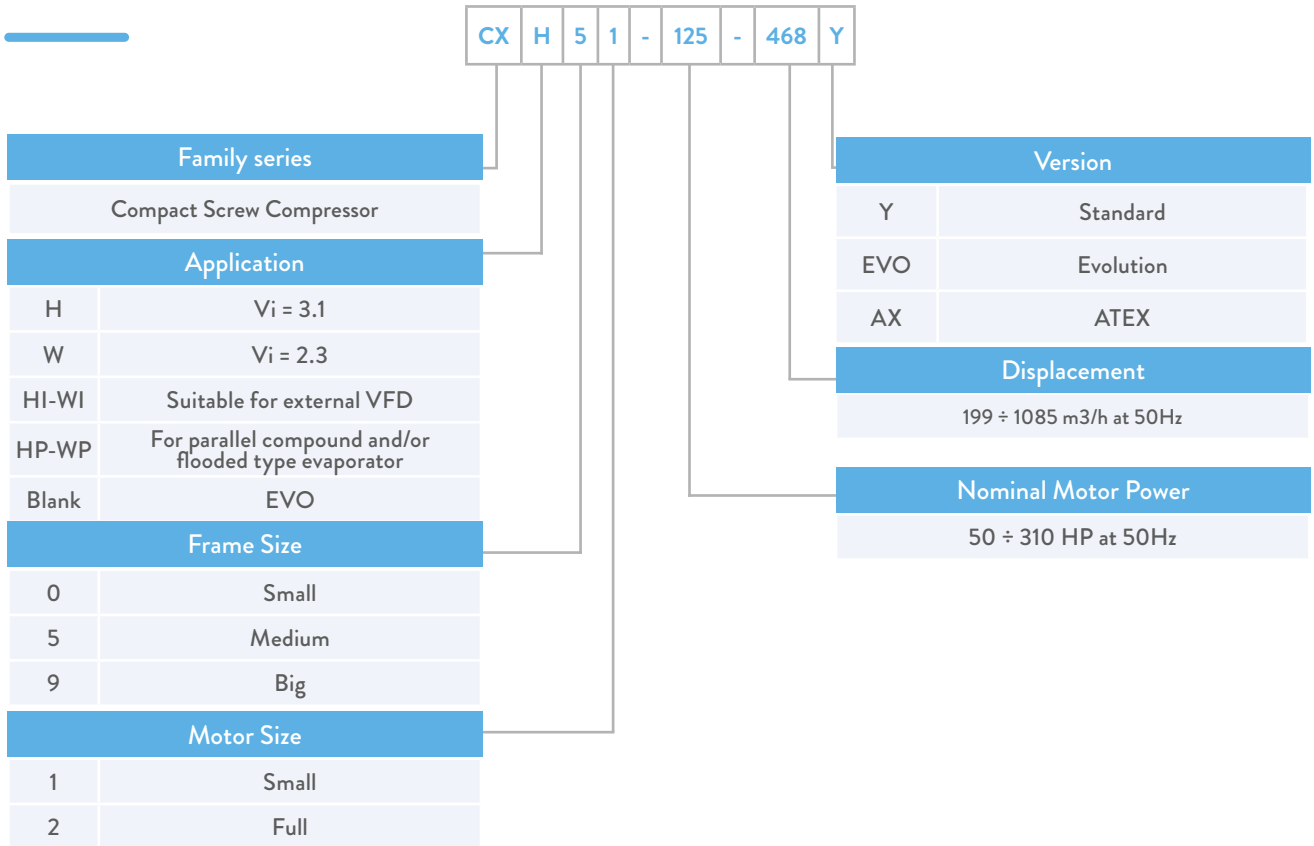
I : Suitable for operation with variable frequency drive (VFD)

CX EVO

Improvements:

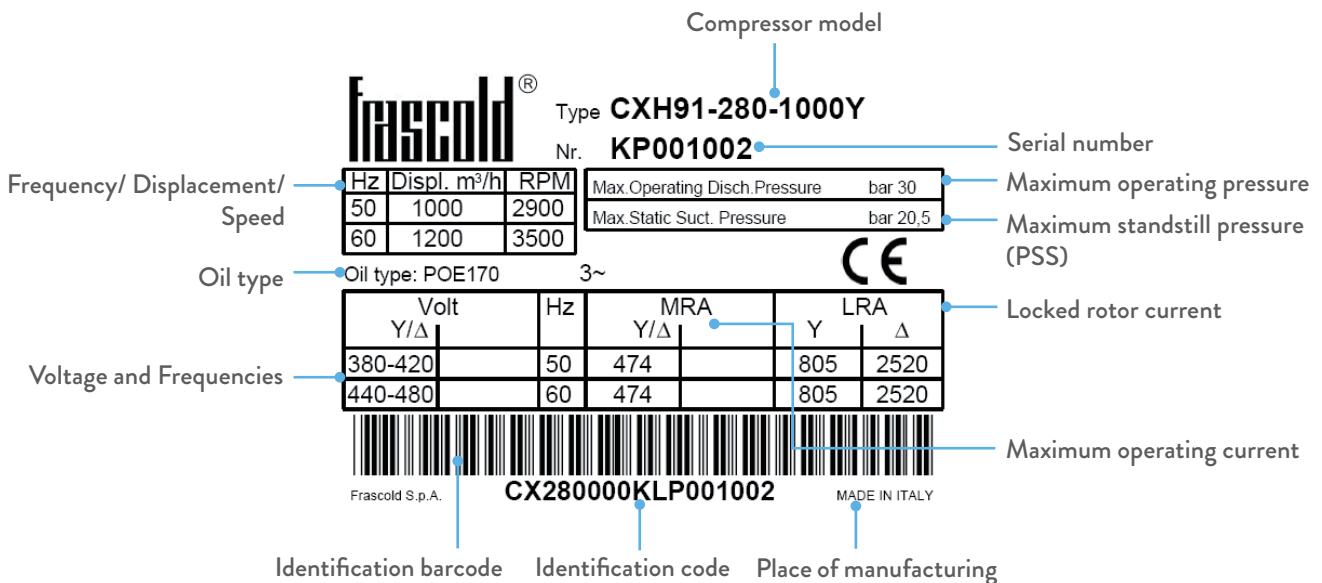
- Redesigned volumetric ratio (VI) at full load
- Improved fluid flow with larger cross-section area
- Optimized oil lubrication improves full and part load
- HFO screw shape designed for lower density
- Redesigned to combine VI and performance at part load
- Overall 12 sizes available with three body shape (frame 0, frame 5, frame 9)

MODEL DESIGNATION



12

INFORMATION PLATE



STANDARD EQUIPMENT AND OPTIONAL ACCESSORIES

CX - COMPACT SCREW COMPRESSORS

| Description | CXH | | CXW | | CX EVO | |
|--|------|------|------|------|--------|------|
| | Std. | Opt. | Std. | Opt. | Std. | Opt. |
| Electronic Control Protection Module INT69FRY with manual reset. Standard power supply: AC 50-60 Hz 110-230V ± 10% 3 VA | • | | • | | • | |
| INT69FRYL Diagnose - AC 50-60 Hz 24-230V ± 10% 3 VA | | • | | • | | • |
| Integrated three stage internal oil separator, crankcase heater, replaceable oil filter | • | | • | | • | |
| Two oil level (min & max) sight glasses (for 5 and 9 series) | • | | • | | • | |
| POE 170 cSt lubricant charge (not included for CXH-W...AX version) | • | | • | | • | |
| Discharge valve with soldering connections | • | | • | | • | |
| Suction flange with solder sleeve | • | | • | | • | |
| Axial suction layout for CXH-W91/2...1000/1085Y | • | | • | | • | |
| Integrated check valve and safety valve | • | | • | | • | |
| Step capacity control + unloaded start: 230V/1/50-60 coils | • | | • | | • | |
| Stepless capacity control upon request | | • | | • | | • |
| Nitrogen protective charge | • | | • | | • | |
| Discharge Temperature PTC Sensor controlled by module INT69FRY | • | | • | | • | |
| Packing ensuring proper handling and adequate protection | • | | • | | • | |
| IP65 terminal box (IP66 for AX version) | • | | • | | • | |
| Oil Drain Valve | • | | • | | • | |
| Special voltage for electric motor | | • | | • | | • |
| Suction Valve with soldering connections | | • | | • | | • |
| Coils with different voltages | | • | | • | | • |
| Axial suction layout Series 9 excluded (CXH-W91/2...1000/1085Y) and 5 Series | | • | | • | | • |
| Opto electronic oil level control | | • | | • | | • |
| Oil Flow Switch (Standard for AX version) | | • | | • | | • |
| Oil Filter Clogging Differential Pressure Switch (Electronic) | | • | | • | | • |
| Electronic Alarm Control Module | | • | | • | | • |
| Connection Kit for Economiser or Liquid Injection | | • | | • | | • |
| Adapter Kit for External Oil cooler | | • | | • | | • |
| Bridges for DOL Start (STD for I Version) | | • | | • | | • |
| Rubber vibration dampers (4 pcs) | | • | | • | | • |
| Special painting | | • | | • | | • |

TECHNICAL DATA AND OPERATING LIMITS

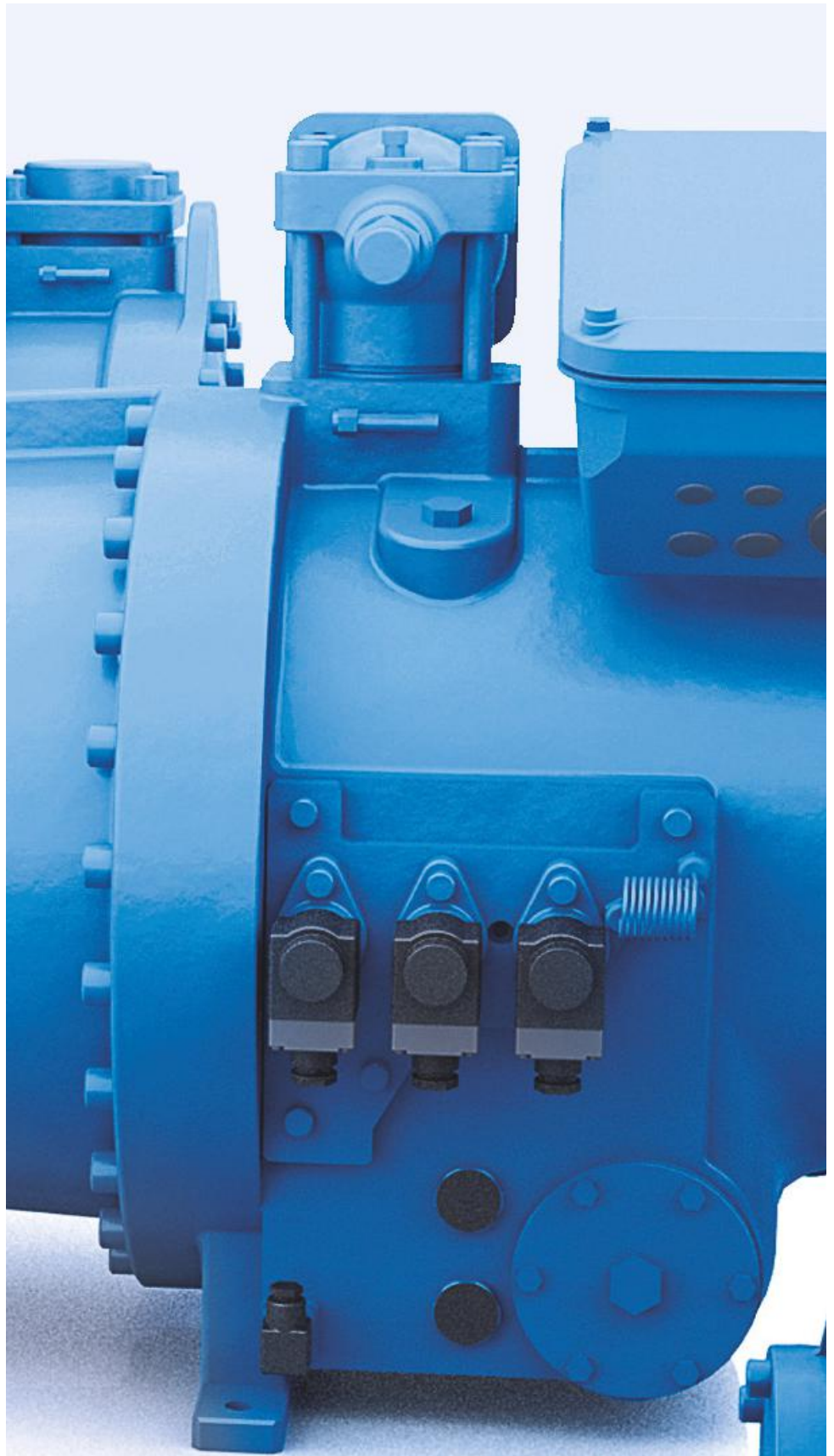
CX - Compact Screw Compressors

LEGAL DISCLAIMER:

While Frascold has made every effort at the time of publication to ensure the accuracy of the information provided herein, product specifications and performances could be subject to change without notice.

You can find the most updated information in our Product Selection Software FSS3 at the link:

<https://www.frascold.it/en/software>



CXH

| MODELS | Motor Vers. | Displacement | | Nominal power | VALID ONLY FOR CXH-CXHP | VALID ONLY FOR CXHI | | MRA | LRA, PW Motor |
|-----------------|-------------|---------------------|--------|---------------|-------------------------|---------------------|----------------|-----|---------------|
| | | 50Hz | 60Hz | | Partition Steps | Frequency min. | Frequency max. | | |
| | | [m ³ /h] | | | | | | | |
| CXH01-50-199Y | 1 | 199 | 238,8 | 50 | 75% - 50% - 25% | 30 | 70 | 80 | 203 |
| CXH01-60-230Y | 1 | 230 | 276 | 60 | 75% - 50% - 25% | 30 | 70 | 98 | 262 |
| CXH01-70-264Y | 1 | 264 | 316,8 | 70 | 75% - 50% - 25% | 30 | 70 | 125 | 298 |
| CXH01-80-298Y | 1 | 298 | 357,6 | 80 | 75% - 50% - 25% | 30 | 70 | 145 | 373 |
| CXH01-90-340Y | 1 | 340 | 408 | 90 | 75% - 50% - 25% | 30 | 70 | 152 | 405 |
| CXH01-100-370Y | 1 | 370 | 444 | 100 | 75% - 50% - 25% | 30 | 70 | 169 | 488 |
| CXH51-110-398Y | 1 | 398 | 477,6 | 110 | 75% - 50% - 25% | 30 | 70 | 180 | 434 |
| CXH51-125-468Y | 1 | 468 | 561,6 | 125 | 75% - 50% - 25% | 30 | 70 | 198 | 530 |
| CXH51-140-538Y | 1 | 538 | 645,6 | 140 | 75% - 50% - 25% | 30 | 70 | 221 | 587 |
| CXH91-160-620Y | 1 | 620 | 744 | 160 | 75% - 50% - 25% | 30 | 70 | 283 | 436 |
| CXH91-180-702Y | 1 | 702 | 842,4 | 180 | 75% - 50% - 25% | 30 | 70 | 315 | 465 |
| CXH91-210-810Y | 1 | 810 | 972 | 210 | 75% - 50% - 25% | 30 | 70 | 356 | 586 |
| CXH91-240-912Y | 1 | 912 | 1094,4 | 240 | 75% - 50% - 25% | 30 | 60 | 427 | 650 |
| CXH91-280-1000Y | 1 | 1000 | 1200 | 280 | 75% - 50% - 25% | 30 | 60 | 474 | 805 |
| CXH91-310-1085Y | 1 | 1085 | 1302 | 310 | 75% - 50% - 25% | 30 | 60 | 490 | 805 |
| CXH02-70-199Y | 2 | 199 | 238,8 | 70 | 75% - 50% - 25% | 30 | 70 | 128 | 298 |
| CXH02-80-230Y | 2 | 230 | 276 | 80 | 75% - 50% - 25% | 30 | 70 | 145 | 373 |
| CXH02-90-264Y | 2 | 264 | 316,8 | 90 | 75% - 50% - 25% | 30 | 70 | 160 | 405 |
| CXH02-100-298Y | 2 | 298 | 357,6 | 100 | 75% - 50% - 25% | 30 | 70 | 175 | 488 |
| CXH52-110-316Y | 2 | 316 | 379,2 | 110 | 75% - 50% - 25% | 30 | 70 | 184 | 434 |
| CXH02-120-340Y | 2 | 340 | 408 | 120 | 75% - 50% - 25% | 30 | 70 | 195 | 505 |
| CXH52-125-372Y | 2 | 372 | 446,4 | 125 | 75% - 50% - 25% | 30 | 70 | 218 | 530 |
| CXH52-140-428Y | 2 | 428 | 513,6 | 140 | 75% - 50% - 25% | 30 | 70 | 245 | 587 |
| CXH52-160-468Y | 2 | 468 | 561,6 | 125 | 75% - 50% - 25% | 30 | 70 | 282 | 729 |
| CXH52-180-538Y | 2 | 538 | 645,6 | 140 | 75% - 50% - 25% | 30 | 70 | 304 | 786 |
| CXH92-180-545Y | 2 | 545 | 654 | 180 | 75% - 50% - 25% | 30 | 70 | 332 | 465 |
| CXH92-210-620Y | 2 | 620 | 744 | 210 | 75% - 50% - 25% | 30 | 70 | 375 | 586 |
| CXH92-240-702Y | 2 | 702 | 842,4 | 240 | 75% - 50% - 25% | 30 | 70 | 427 | 650 |
| CXH92-280-810Y | 2 | 810 | 972 | 280 | 75% - 50% - 25% | 30 | 70 | 455 | 805 |
| CXH92-300-912Y | 2 | 912 | 1094,4 | 300 | 75% - 50% - 25% | 30 | 60 | 474 | 805 |
| CXH92-310-1000Y | 2 | 1000 | 1200 | 300 | 75% - 50% - 25% | 30 | 60 | 474 | 805 |

Data reference valid for the same model in version CXH, CXHI and CXHP.

Find the most updated information in our Product Selection Software FSS3 at the link :
<https://www.frascold.it/en/software>

| | LRA, DOL Motor | Protection Index | maximum standstill pressure | maximum operative pressure | Suction valve | Suction Valve | Discharge Valve | Discharge Valve | Suction bushing | Suction bushing | Net Weight | MODELS |
|--|----------------|------------------|-----------------------------|----------------------------|---------------|---------------|-----------------|-----------------|-----------------|-----------------|------------|-----------------|
| | | | | | (SV) | (SV) | (DV) | (DV) | (SL) | (SL) | | |
| | [A] | [IP] | [bar] | | [mm] | [inch] | [mm] | [inch] | [mm] | [inch] | | |
| | 330 | IP56 | 20,5 | 30 | 80 | 3-1/8" | 54 | 2-1/8" | 80 | 3-1/8" | 490 | CXH01-50-199Y |
| | 425 | IP56 | 20,5 | 30 | 80 | 3-1/8" | 54 | 2-1/8" | 80 | 3-1/8" | 505 | CXH01-60-230Y |
| | 518 | IP56 | 20,5 | 30 | 80 | 3-1/8" | 54 | 2-1/8" | 80 | 3-1/8" | 505 | CXH01-70-264Y |
| | 600 | IP56 | 20,5 | 30 | 80 | 3-1/8" | 54 | 2-1/8" | 80 | 3-1/8" | 515 | CXH01-80-298Y |
| | 649 | IP56 | 20,5 | 30 | 80 | 3-1/8" | 54 | 2-1/8" | 80 | 3-1/8" | 525 | CXH01-90-340Y |
| | 767 | IP56 | 20,5 | 30 | 80 | 3-1/8" | 54 | 2-1/8" | 80 | 3-1/8" | 540 | CXH01-100-370Y |
| | 720 | IP56 | 20,5 | 30 | 105 | 4-1/8" | DN80 | DN80 | 105 | 4-1/8" | 870 | CXH51-110-398Y |
| | 838 | IP56 | 20,5 | 30 | 105 | 4-1/8" | DN80 | DN80 | 105 | 4-1/8" | 875 | CXH51-125-468Y |
| | 921 | IP56 | 20,5 | 30 | 105 | 4-1/8" | DN80 | DN80 | 105 | 4-1/8" | 878 | CXH51-140-538Y |
| | 1364 | IP56 | 20,5 | 30 | 105 | 4-1/8" | DN80 | DN80 | 105 | 4-1/8" | 1475 | CXH91-160-620Y |
| | 1442 | IP56 | 20,5 | 30 | 105 | 4-1/8" | DN80 | DN80 | 105 | 4-1/8" | 1475 | CXH91-180-702Y |
| | 1853 | IP56 | 20,5 | 30 | DN125 | DN125 | 105 | 4-1/8" | DN125 | DN125 | 1475 | CXH91-210-810Y |
| | 2029 | IP56 | 20,5 | 30 | DN125 | DN125 | 105 | 4-1/8" | DN125 | DN125 | 1475 | CXH91-240-912Y |
| | 2520 | IP56 | 20,5 | 30 | DN125 | DN125 | 105 | 4-1/8" | DN125 | DN125 | 1490 | CXH91-280-1000Y |
| | 2520 | IP56 | 20,5 | 30 | DN125 | DN125 | 105 | 4-1/8" | DN125 | DN125 | 1490 | CXH91-310-1085Y |
| | 518 | IP56 | 20,5 | 30 | 80 | 3-1/8" | 54 | 2-1/8" | 80 | 3-1/8" | 510 | CXH02-70-199Y |
| | 600 | IP56 | 20,5 | 30 | 80 | 3-1/8" | 54 | 2-1/8" | 80 | 3-1/8" | 520 | CXH02-80-230Y |
| | 649 | IP56 | 20,5 | 30 | 80 | 3-1/8" | 54 | 2-1/8" | 80 | 3-1/8" | 520 | CXH02-90-264Y |
| | 767 | IP56 | 20,5 | 30 | 80 | 3-1/8" | 54 | 2-1/8" | 80 | 3-1/8" | 525 | CXH02-100-298Y |
| | 720 | IP56 | 20,5 | 30 | 105 | 4-1/8" | DN80 | DN80 | 105 | 4-1/8" | 865 | CXH52-110-316Y |
| | 793 | IP56 | 20,5 | 30 | 80 | 3-1/8" | 54 | 2-1/8" | 80 | 3-1/8" | 537 | CXH02-120-340Y |
| | 838 | IP56 | 20,5 | 30 | 105 | 4-1/8" | DN80 | DN80 | 105 | 4-1/8" | 865 | CXH52-125-372Y |
| | 921 | IP56 | 20,5 | 30 | 105 | 4-1/8" | DN80 | DN80 | 105 | 4-1/8" | 875 | CXH52-140-428Y |
| | 1114 | IP56 | 20,5 | 30 | 105 | 4-1/8" | DN80 | DN80 | 105 | 4-1/8" | 878 | CXH52-160-468Y |
| | 1209 | IP56 | 20,5 | 30 | 105 | 4-1/8" | DN80 | DN80 | 105 | 4-1/8" | 878 | CXH52-180-538Y |
| | 1442 | IP56 | 20,5 | 30 | 105 | 4-1/8" | DN80 | DN80 | 105 | 4-1/8" | 1475 | CXH92-180-545Y |
| | 1853 | IP56 | 20,5 | 30 | 105 | 4-1/8" | DN80 | DN80 | 105 | 4-1/8" | 1490 | CXH92-210-620Y |
| | 2029 | IP56 | 20,5 | 30 | 105 | 4-1/8" | DN80 | DN80 | 105 | 4-1/8" | 1490 | CXH92-240-702Y |
| | 2520 | IP56 | 20,5 | 30 | DN125 | DN125 | 105 | 4-1/8" | DN125 | DN125 | 1490 | CXH92-280-810Y |
| | 2520 | IP56 | 20,5 | 30 | DN125 | DN125 | 105 | 4-1/8" | DN125 | DN125 | 1490 | CXH92-300-912Y |
| | 2520 | IP56 | 20,5 | 30 | DN125 | DN125 | 105 | 4-1/8" | DN125 | DN125 | 1490 | CXH92-310-1000Y |

CXW

| MODELS | Motor Vers. | Displacement | | Nominal power | VALID ONLY FOR CXH-CXHP | VALID ONLY FOR CXHI | | MRA | LRA, PW Motor |
|-----------------|-------------|---------------------|--------|---------------|-------------------------|---------------------|----------------|-----|---------------|
| | | 50Hz | 60Hz | | Partition Steps | Frequency min. | Frequency max. | | |
| | | [m ³ /h] | | | | | | | |
| CXW01-50-230Y | 1 | 230 | 276 | 50 | 75% - 50% - 25% | 30 | 70 | 80 | 203 |
| CXW01-60-264Y | 1 | 264 | 316,8 | 60 | 75% - 50% - 25% | 30 | 70 | 98 | 262 |
| CXW01-70-298Y | 1 | 298 | 357,6 | 70 | 75% - 50% - 25% | 30 | 70 | 125 | 298 |
| CXW01-80-340Y | 1 | 340 | 408 | 80 | 75% - 50% - 25% | 30 | 70 | 134 | 373 |
| CXW01-90-370Y | 1 | 370 | 444 | 90 | 75% - 50% - 25% | 30 | 70 | 160 | 405 |
| CXW51-100-428Y | 1 | 428 | 513,6 | 110 | 75% - 50% - 25% | 30 | 70 | 180 | 434 |
| CXW51-110-468Y | 1 | 468 | 561,6 | 110 | 75% - 50% - 25% | 30 | 70 | 187 | 434 |
| CXW51-125-538Y | 1 | 538 | 645,6 | 125 | 75% - 50% - 25% | 30 | 70 | 198 | 530 |
| CXW91-140-620Y | 1 | 620 | 744 | 160 | 75% - 50% - 25% | 30 | 70 | 255 | 436 |
| CXW91-160-702Y | 1 | 702 | 842,4 | 160 | 75% - 50% - 25% | 30 | 70 | 283 | 436 |
| CXW91-180-810Y | 1 | 810 | 972 | 180 | 75% - 50% - 25% | 30 | 70 | 315 | 465 |
| CXW91-210-912Y | 1 | 912 | 1094,4 | 210 | 75% - 50% - 25% | 30 | 60 | 356 | 586 |
| CXW91-240-1000Y | 1 | 1000 | 1200 | 300 | 75% - 50% - 25% | 30 | 60 | 427 | 650 |
| CXW91-280-1085Y | 1 | 1085 | 1302 | 300 | 75% - 50% - 25% | 30 | 60 | 455 | 805 |
| CXW02-50-199Y | 2 | 199 | 238,8 | 50 | 75% - 50% - 25% | 30 | 70 | 85 | 203 |
| CXW02-60-230Y | 2 | 230 | 276 | 60 | 75% - 50% - 25% | 30 | 70 | 101 | 262 |
| CXW02-70-264Y | 2 | 264 | 316,8 | 70 | 75% - 50% - 25% | 30 | 70 | 125 | 298 |
| CXW02-80-298Y | 2 | 298 | 357,6 | 80 | 75% - 50% - 25% | 30 | 70 | 145 | 373 |
| CXW02-90-340Y | 2 | 340 | 408 | 90 | 75% - 50% - 25% | 30 | 70 | 160 | 405 |
| CXW02-100-370Y | 2 | 370 | 444 | 100 | 75% - 50% - 25% | 30 | 70 | 175 | 488 |
| CXW52-110-428Y | 2 | 428 | 513,6 | 110 | 75% - 50% - 25% | 30 | 70 | 184 | 434 |
| CXW52-125-468Y | 2 | 468 | 561,6 | 125 | 75% - 50% - 25% | 30 | 70 | 219 | 530 |
| CXW52-140-538Y | 2 | 538 | 645,6 | 140 | 75% - 50% - 25% | 30 | 70 | 235 | 587 |
| CXW92-160-620Y | 2 | 620 | 744 | 160 | 75% - 50% - 25% | 30 | 70 | 283 | 436 |
| CXW92-180-702Y | 2 | 702 | 842,4 | 180 | 75% - 50% - 25% | 30 | 70 | 315 | 465 |
| CXW92-210-810Y | 2 | 810 | 972 | 210 | 75% - 50% - 25% | 30 | 70 | 356 | 586 |
| CXW92-240-912Y | 2 | 912 | 1094,4 | 240 | 75% - 50% - 25% | 30 | 60 | 427 | 650 |
| CXW92-280-1000Y | 2 | 1000 | 1200 | 300 | 75% - 50% - 25% | 30 | 60 | 427 | 650 |
| CXW92-310-1085Y | 2 | 1085 | 1302 | 300 | 75% - 50% - 25% | 30 | 60 | 455 | 805 |

Data reference valid for the same model in version CXH, CXHI and CXHP.

Find the most updated information in our Product Selection Software FSS3 at the link :
<https://www.frascold.it/en/software>

| | LRA, DOL Motor | Protection Index | maximum standstill pressure | maximum operative pressure | Suction valve | Suction Valve | Discharge Valve | Discharge Valve | Suction bushing | Suction bushing | Net Weight | MODELS |
|--|----------------|------------------|-----------------------------|----------------------------|---------------|---------------|-----------------|-----------------|-----------------|-----------------|------------|-----------------|
| | | | | | (SV) | (SV) | (DV) | (DV) | (SL) | (SL) | | |
| | [A] | [IP] | [bar] | | [mm] | [inch] | [mm] | [inch] | [mm] | [inch] | | |
| | 330 | IP56 | 20,5 | 30 | 80 | 3-1/8" | 54 | 2-1/8" | 80 | 3-1/8" | 490 | CXW01-50-230Y |
| | 425 | IP56 | 20,5 | 30 | 80 | 3-1/8" | 54 | 2-1/8" | 80 | 3-1/8" | 500 | CXW01-60-264Y |
| | 518 | IP56 | 20,5 | 30 | 80 | 3-1/8" | 54 | 2-1/8" | 80 | 3-1/8" | 505 | CXW01-70-298Y |
| | 600 | IP56 | 20,5 | 30 | 80 | 3-1/8" | 54 | 2-1/8" | 80 | 3-1/8" | 510 | CXW01-80-340Y |
| | 649 | IP56 | 20,5 | 30 | 80 | 3-1/8" | 54 | 2-1/8" | 80 | 3-1/8" | 525 | CXW01-90-370Y |
| | 720 | IP56 | 20,5 | 30 | 105 | 4-1/8" | DN80 | DN80 | 105 | 4-1/8" | 840 | CXW51-100-428Y |
| | 720 | IP56 | 20,5 | 30 | 105 | 4-1/8" | DN80 | DN80 | 105 | 4-1/8" | 850 | CXW51-110-468Y |
| | 838 | IP56 | 20,5 | 30 | 105 | 4-1/8" | DN80 | DN80 | 105 | 4-1/8" | 865 | CXW51-125-538Y |
| | 1364 | IP56 | 20,5 | 30 | 105 | 4-1/8" | DN80 | DN80 | 105 | 4-1/8" | 1475 | CXW91-140-620Y |
| | 1364 | IP56 | 20,5 | 30 | 105 | 4-1/8" | DN80 | DN80 | 105 | 4-1/8" | 1465 | CXW91-160-702Y |
| | 1442 | IP56 | 20,5 | 30 | DN125 | DN125 | 105 | 4-1/8" | DN125 | DN125 | 1465 | CXW91-180-810Y |
| | 1853 | IP56 | 20,5 | 30 | DN125 | DN125 | 105 | 4-1/8" | DN125 | DN125 | 1465 | CXW91-210-912Y |
| | 2029 | IP56 | 20,5 | 30 | DN125 | DN125 | 105 | 4-1/8" | DN125 | DN125 | 1490 | CXW91-240-1000Y |
| | 2520 | IP56 | 20,5 | 30 | DN125 | DN125 | 105 | 4-1/8" | DN125 | DN125 | 1490 | CXW91-280-1085Y |
| | 330 | IP56 | 20,5 | 30 | 80 | 3-1/8" | 54 | 2-1/8" | 80 | 3-1/8" | 490 | CXW02-50-199Y |
| | 425 | IP56 | 20,5 | 30 | 80 | 3-1/8" | 54 | 2-1/8" | 80 | 3-1/8" | 505 | CXW02-60-230Y |
| | 518 | IP56 | 20,5 | 30 | 80 | 3-1/8" | 54 | 2-1/8" | 80 | 3-1/8" | 500 | CXW02-70-264Y |
| | 600 | IP56 | 20,5 | 30 | 80 | 3-1/8" | 54 | 2-1/8" | 80 | 3-1/8" | 515 | CXW02-80-298Y |
| | 649 | IP56 | 20,5 | 30 | 80 | 3-1/8" | 54 | 2-1/8" | 80 | 3-1/8" | 525 | CXW02-90-340Y |
| | 767 | IP56 | 20,5 | 30 | 80 | 3-1/8" | 54 | 2-1/8" | 80 | 3-1/8" | 540 | CXW02-100-370Y |
| | 720 | IP56 | 20,5 | 30 | 105 | 4-1/8" | DN80 | DN80 | 105 | 4-1/8" | 840 | CXW52-110-428Y |
| | 838 | IP56 | 20,5 | 30 | 105 | 4-1/8" | DN80 | DN80 | 105 | 4-1/8" | 875 | CXW52-125-468Y |
| | 921 | IP56 | 20,5 | 30 | 105 | 4-1/8" | DN80 | DN80 | 105 | 4-1/8" | 878 | CXW52-140-538Y |
| | 1364 | IP56 | 20,5 | 30 | 105 | 4-1/8" | DN80 | DN80 | 105 | 4-1/8" | 1475 | CXW92-160-620Y |
| | 1442 | IP56 | 20,5 | 30 | 105 | 4-1/8" | DN80 | DN80 | 105 | 4-1/8" | 1475 | CXW92-180-702Y |
| | 1853 | IP56 | 20,5 | 30 | DN125 | DN125 | 105 | 4-1/8" | DN125 | DN125 | 1475 | CXW92-210-810Y |
| | 2029 | IP56 | 20,5 | 30 | DN125 | DN125 | 105 | 4-1/8" | DN125 | DN125 | 1475 | CXW92-240-912Y |
| | 2029 | IP56 | 20,5 | 30 | DN125 | DN125 | 105 | 4-1/8" | DN125 | DN125 | 1490 | CXW92-280-1000Y |
| | 2520 | IP56 | 20,5 | 30 | DN125 | DN125 | 105 | 4-1/8" | DN125 | DN125 | 1490 | CXW92-310-1085Y |

CX EVO

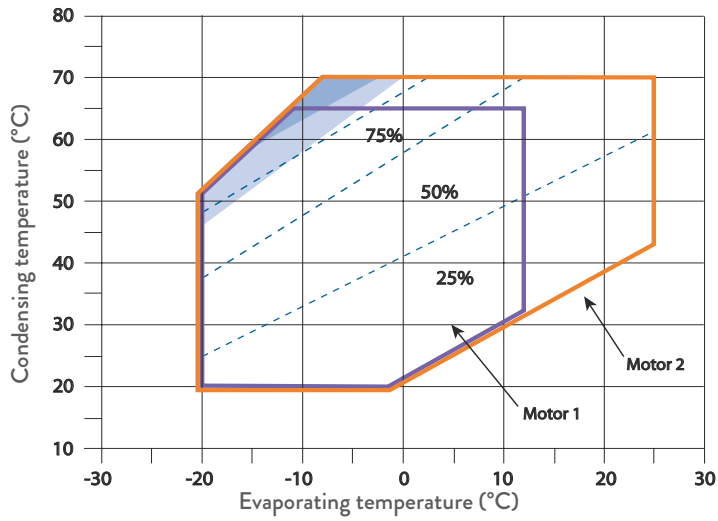
| MODELS | Motor Vers. | Displacement | | Nominal power | Partition Steps | MRA | LRA, PW Motor | LRA, DOL Motor | Protection Index |
|-------------------|-------------|---------------------|--------|---------------|-----------------|-----|---------------|----------------|------------------|
| | | 50Hz | 60Hz | | | | | | |
| | | [m ³ /h] | | | | | | | |
| CX01-70-264-EVO | 1 | 264 | 316,8 | 70 | 75% - 50% - 25% | 125 | 298 | 518 | IP56 |
| CX01-80-298-EVO | 1 | 298 | 357,6 | 80 | 75% - 50% - 25% | 145 | 373 | 600 | IP56 |
| CX01-90-340-EVO | 1 | 340 | 408 | 90 | 75% - 50% - 25% | 152 | 405 | 649 | IP56 |
| CX51-110-398-EVO | 1 | 398 | 477,6 | 110 | 75% - 50% - 25% | 180 | 434 | 720 | IP56 |
| CX51-125-468-EVO | 1 | 468 | 561,6 | 125 | 75% - 50% - 25% | 198 | 530 | 838 | IP56 |
| CX51-140-538-EVO | 1 | 538 | 645,6 | 140 | 75% - 50% - 25% | 221 | 587 | 921 | IP56 |
| CX91-160-620-EVO | 1 | 620 | 744 | 160 | 75% - 50% - 25% | 283 | 436 | 1364 | IP56 |
| CX91-180-702-EVO | 1 | 702 | 842,4 | 180 | 75% - 50% - 25% | 315 | 465 | 1442 | IP56 |
| CX91-210-810-EVO | 1 | 810 | 972 | 210 | 75% - 50% - 25% | 356 | 586 | 1853 | IP56 |
| CX91-240-912-EVO | 1 | 912 | 1094,4 | 240 | 75% - 50% - 25% | 427 | 650 | 2029 | IP56 |
| CX91-280-1000-EVO | 1 | 1000 | 1200 | 280 | 75% - 50% - 25% | 474 | 805 | 2520 | IP56 |
| CX91-310-1085-EVO | 1 | 1085 | 1302 | 310 | 75% - 50% - 25% | 490 | 805 | 2520 | IP56 |

Find the most updated information in our Product Selection Software FSS3 at the link :
<https://www.frascold.it/en/software>

| | maximum standstill pressure | maximum operative pressure | Suction valve | Suction Valve | Discharge Valve | Discharge Valve | Suction bushing | Suction bushing | Net Weight | MODELS |
|--|-----------------------------|----------------------------|---------------|---------------|-----------------|-----------------|-----------------|-----------------|------------|-------------------|
| | | | (SV) | | (DV) | | (SL) | | | |
| | [bar] | | [mm] | [inch] | [mm] | [inch] | [mm] | [inch] | [kg] | |
| | 20,5 | 30 | 80 | 3-1/8" | 54 | 2-1/8" | 80 | 3-1/8" | 505 | CX01-70-264-EVO |
| | 20,5 | 30 | 80 | 3-1/8" | 54 | 2-1/8" | 80 | 3-1/8" | 515 | CX01-80-298-EVO |
| | 20,5 | 30 | 80 | 3-1/8" | 54 | 2-1/8" | 80 | 3-1/8" | 525 | CX01-90-340-EVO |
| | 20,5 | 30 | 105 | 4-1/8" | 80 | DN80 | 105 | 4-1/8" | 870 | CX51-110-398-EVO |
| | 20,5 | 30 | 105 | 4-1/8" | 80 | DN80 | 105 | 4-1/8" | 875 | CX51-125-468-EVO |
| | 20,5 | 30 | 105 | 4-1/8" | 80 | DN80 | 105 | 4-1/8" | 878 | CX51-140-538-EVO |
| | 20,5 | 30 | 105 | 4-1/8" | 80 | DN80 | 105 | 4-1/8" | 1475 | CX91-160-620-EVO |
| | 20,5 | 30 | 105 | 4-1/8" | 80 | DN80 | 105 | 4-1/8" | 1475 | CX91-180-702-EVO |
| | 20,5 | 30 | DN125 | DN125 | 105 | 4-1/8" | DN125 | DN125 | 1475 | CX91-210-810-EVO |
| | 20,5 | 30 | DN125 | DN125 | 105 | 4-1/8" | DN125 | DN125 | 1475 | CX91-240-912-EVO |
| | 20,5 | 30 | DN125 | DN125 | 105 | 4-1/8" | DN125 | DN125 | 1490 | CX91-280-1000-EVO |
| | 20,5 | 30 | DN125 | DN125 | 105 | 4-1/8" | DN125 | DN125 | 1490 | CX91-310-1085-EVO |

Operating Limits

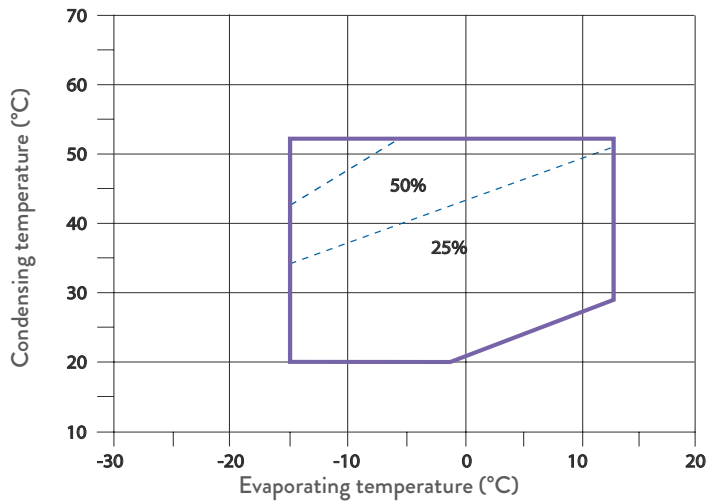
R134a - CXH / CXHP



- Full load operation (100%) - Motor 1
- Full load operation (100%) - Motor 2

Suction gas superheating 10K

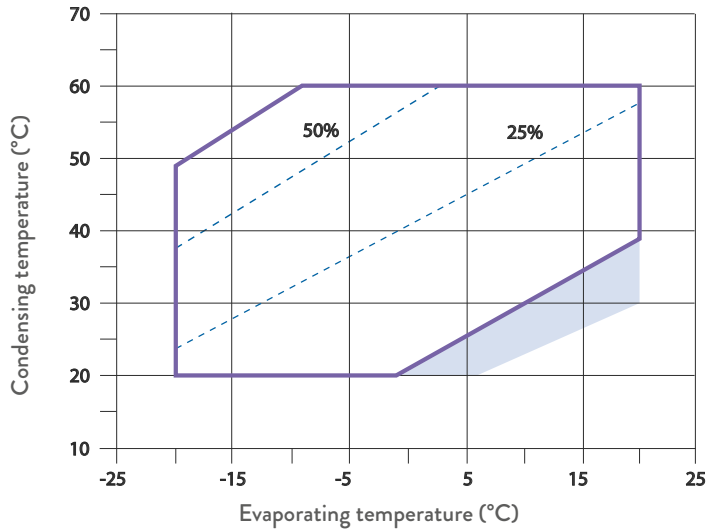
R134a - CXW / CXWP



- Full load operation (100%)

Suction gas superheating 10K

R134a - CX EVO

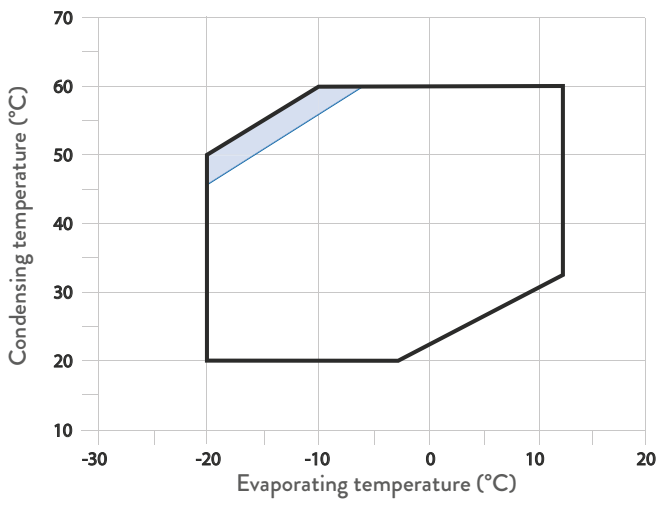


- Full load operation (100%)
- Only part load operations (25-50-75%)

Suction gas superheating 10K

Note: For "I" version verify with the selection software the frequency limits for your application.

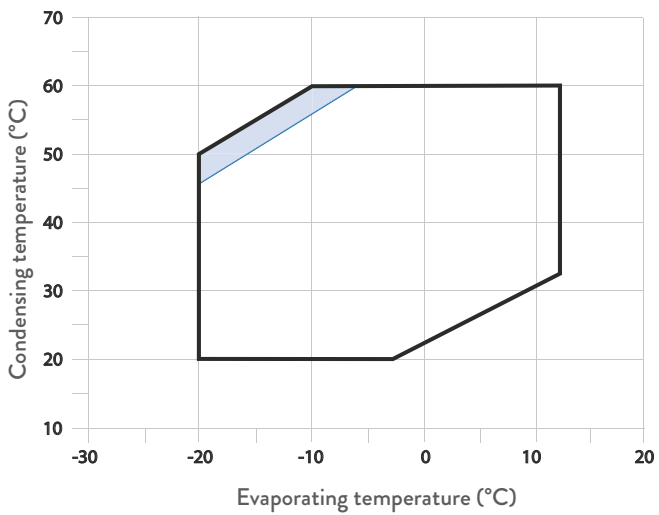
R290 - CXH



Additional cooling

50 Hz
Suction gas superheating 10K

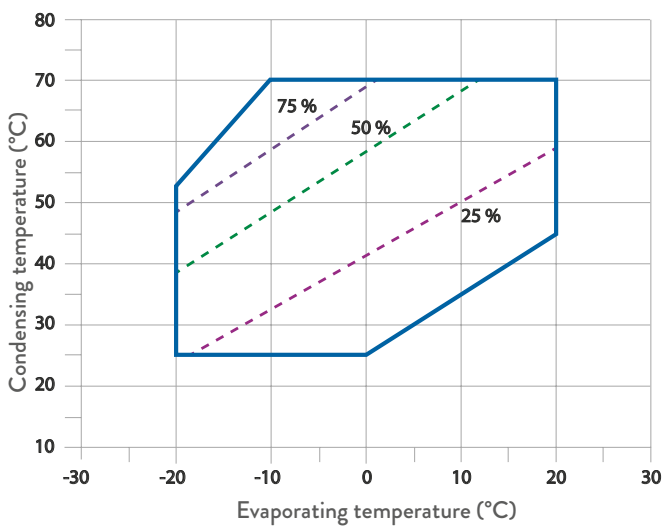
R290 - CXHI



Additional cooling

50 Hz
Suction gas superheating 10K

R1234ze(E) - CXH



Full load operation (100%)

50 Hz
Suction gas superheating 10K

TECHNICAL DRAWINGS AND DIMENSIONS

24

CX - Compact Screw Compressors

744

185

SL

4

762

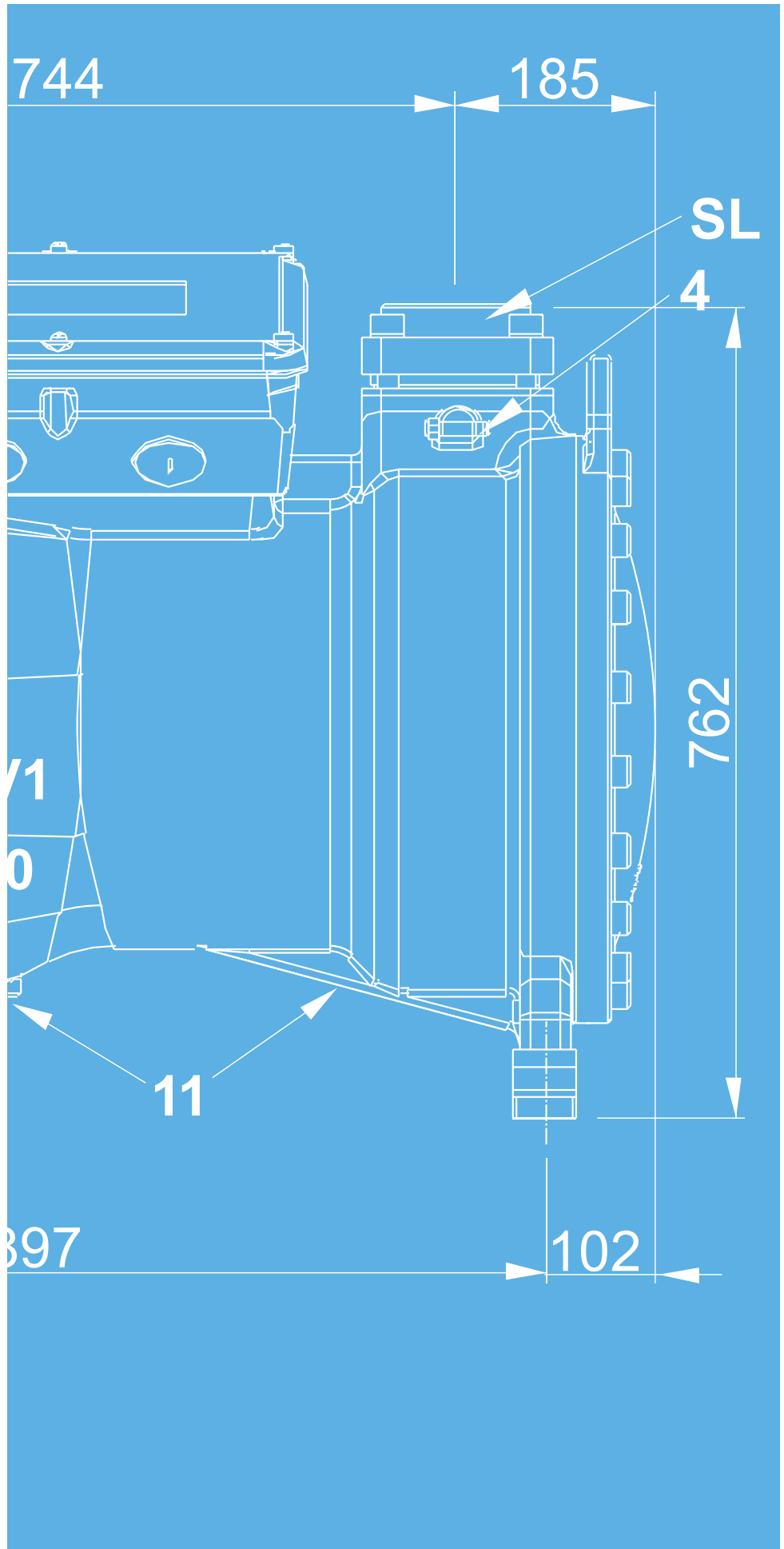
71

0

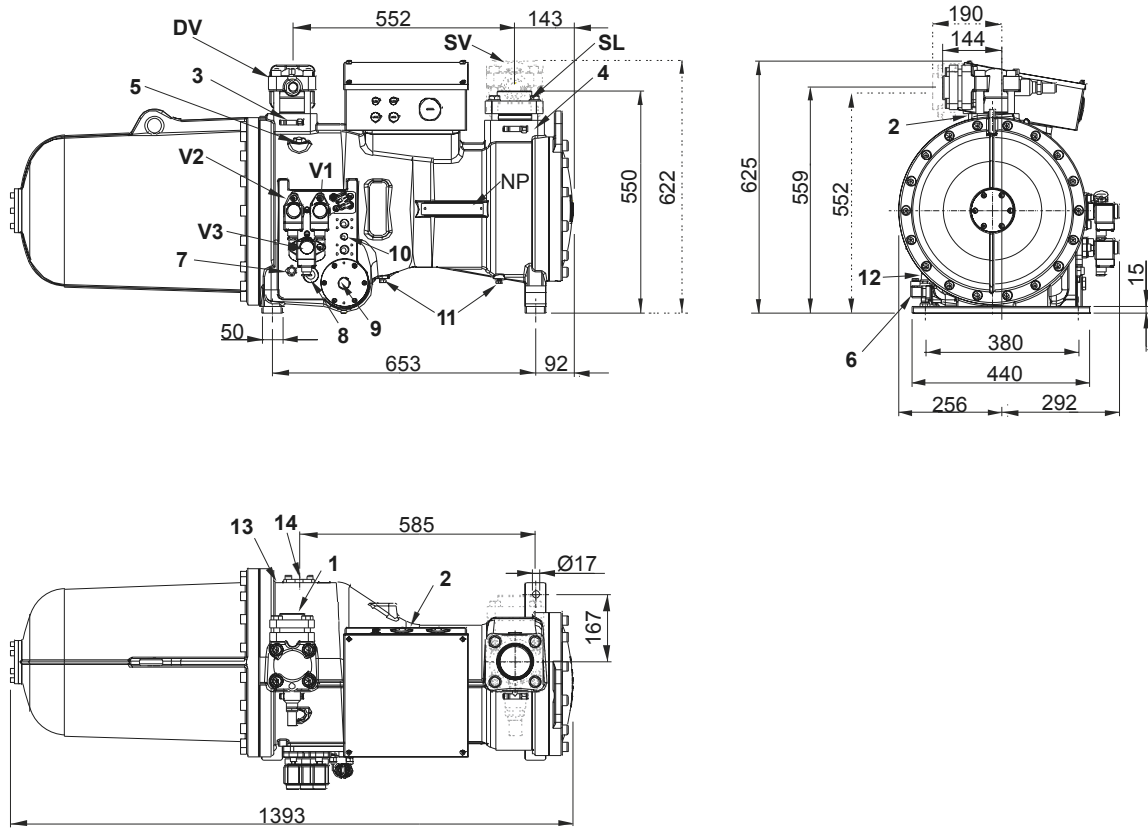
11

397

102

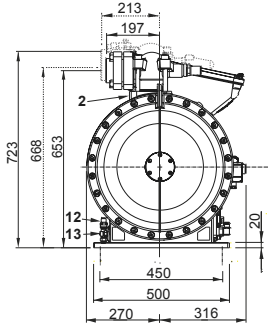
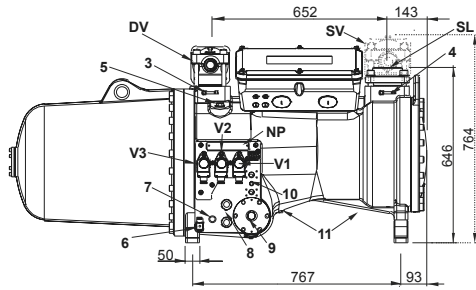


CXH0 - CXW0 - CX0EVO

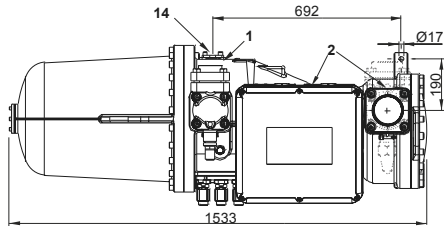


| | | |
|----|-----------------------------------|---------------------|
| 1 | High pressure connection | 1/8" NPT |
| 2 | Low pressure connection | 1/8" NPT |
| 3 | High pressure connection | 1/4" SAE x 1/4" SAE |
| 4 | Low pressure connection | 1/4" SAE x 1/4" SAE |
| 5 | Oil charge plug | 3/8" GAS |
| 6 | Crankcase heater | |
| 7 | Oil level regulator connection | 3/4" NPT |
| 8 | Oil level sight glass | |
| 9 | Filter clogging sensor connection | 1/2" GAS |
| 10 | Oil cooler connection | 1/2" NPT |
| 11 | Oil drain plug | 1/4" NPT |
| 12 | Oil drain valve | 1/8" NPT |
| 13 | Maximum oil temperature sensor | |
| 14 | ECO/Liquid injection connection | 1-1/8" |
| SV | Suction valve | 3-1/8" - 80 mm |
| DV | Discharge valve | 2-1/8" - 54 mm |
| SL | Suction line | 3-1/8" |
| V1 | Capacity control valve | |
| V2 | Capacity control valve | |
| V3 | Capacity control valve | |

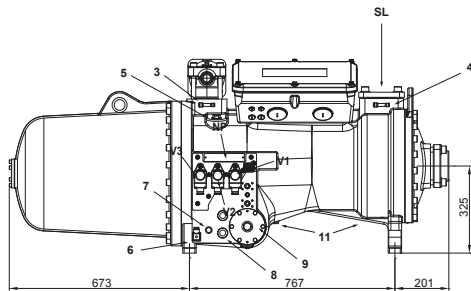
Dimensional drawing



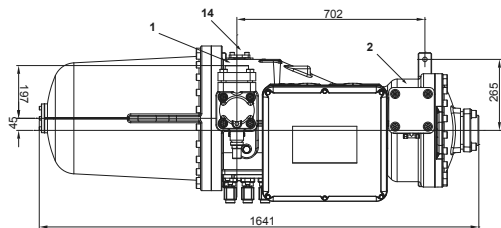
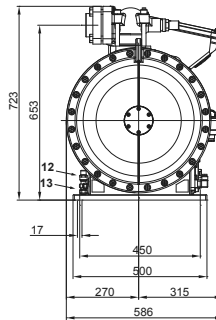
CXH5 - CXW5 - CX5EVO



STANDARD

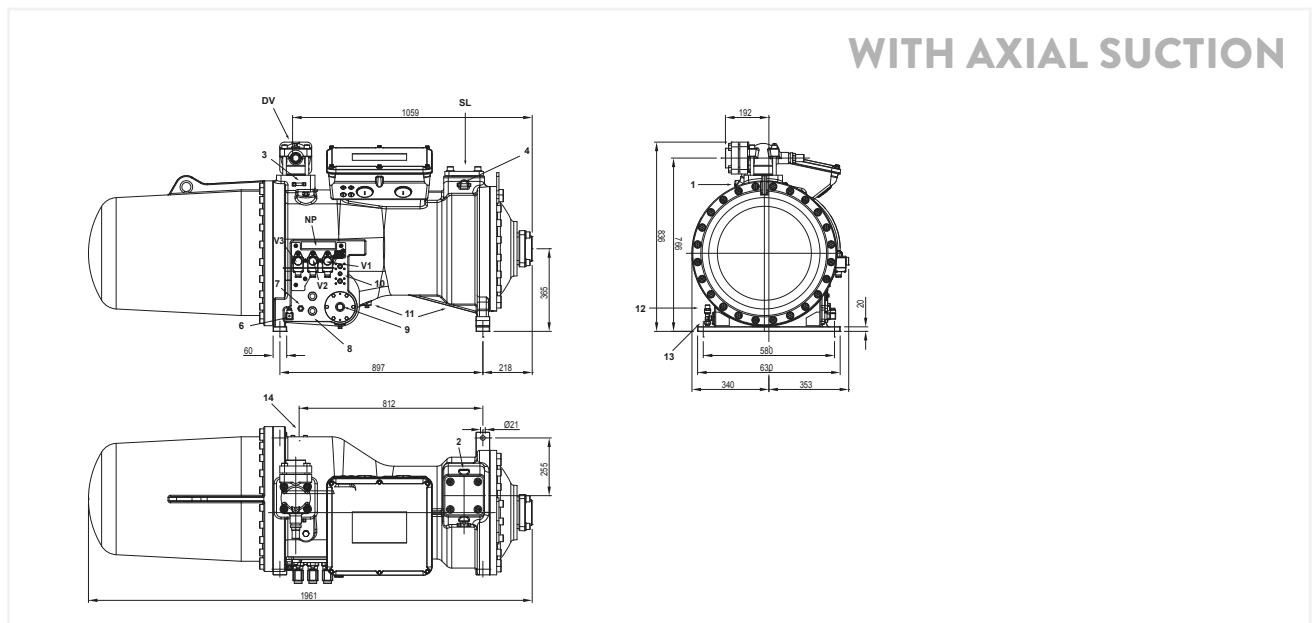
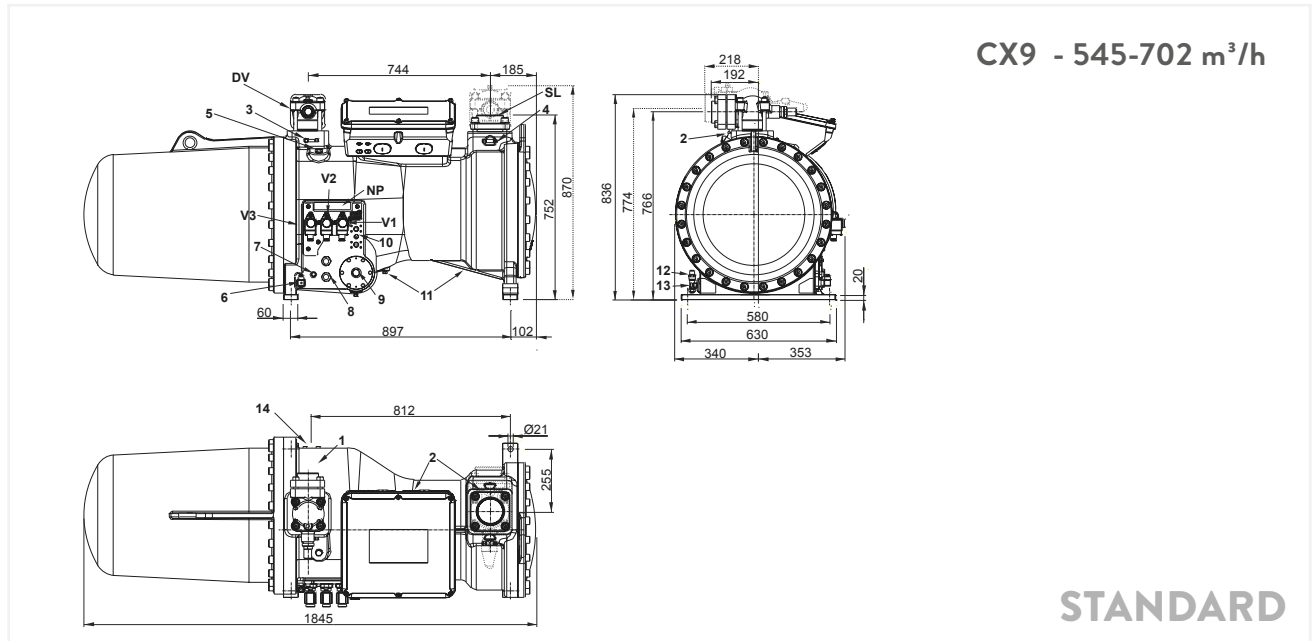


WITH AXIAL SUCTION



| | | |
|----|-----------------------------------|---------------------|
| 1 | High pressure connection | 1/8" NPT |
| 2 | Low pressure connection | 1/8" NPT |
| 3 | High pressure connection | 1/4" SAE x 1/4" SAE |
| 4 | Low pressure connection | 1/4" SAE x 1/4" SAE |
| 5 | Oil charge plug | 3/8" GAS |
| 6 | Crankcase heater | |
| 7 | Oil level regulator connection | 3/4" NPT |
| 8 | Oil level sight glass | |
| 9 | Filter clogging sensor connection | 1/2" GAS |
| 10 | Oil cooler connection | 1/2" NPT |
| 11 | Oil drain plug | 1/4" NPT |
| 12 | Oil drain valve | 1/8" NPT |
| 13 | Maximum oil temperature sensor | |
| 14 | ECO/Liquid injection connection | 1/8" |
| SV | Suction valve | 4-1/8" - 105 mm |
| DV | Discharge valve | DN80 |
| SL | Suction line | 4-1/8" |
| V1 | Capacity control valve | |
| V2 | Capacity control valve | |
| V3 | Capacity control valve | |

Dimensional drawing

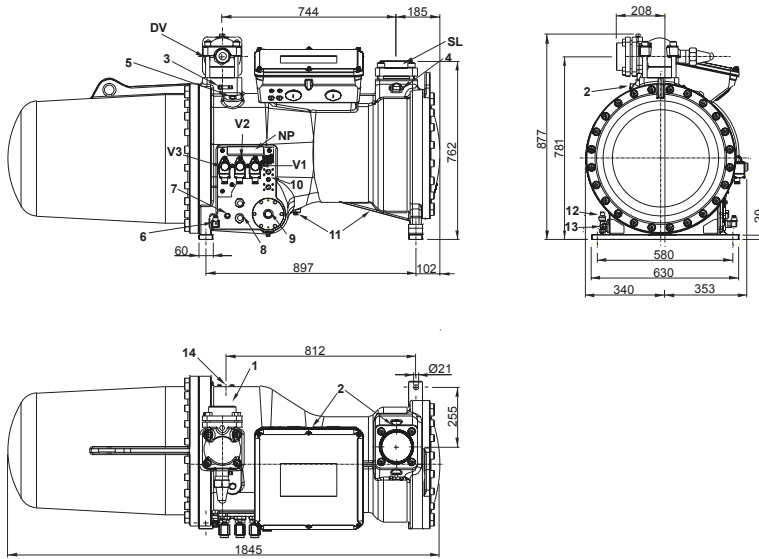


28

| | | |
|----|-----------------------------------|---------------------|
| 1 | High pressure connection | 1/8" NPT |
| 2 | Low pressure connection | 1/8" NPT |
| 3 | High pressure connection | 1/4" SAE x 1/4" SAE |
| 4 | Low pressure connection | 1/4" SAE x 1/4" SAE |
| 5 | Oil charge plug | 3/8" GAS |
| 6 | Crankcase heater | |
| 7 | Oil level regulator connection | 3/4" NPT |
| 8 | Oil level sight glass | |
| 9 | Filter clogging sensor connection | 1/2" GAS |
| 10 | Oil cooler connection | 1/2" NPT |
| 11 | Oil drain plug | 1/4" NPT |
| 12 | Oil drain valve | 1/8" NPT |
| 13 | Maximum oil temperature sensor | |
| 14 | ECO/Liquid injection connection | 1-1/8" |
| SV | Suction valve | 4-1/8" - 105 mm |
| DV | Discharge valve | DN80 |
| SL | Suction line | 4-1/8" |
| V1 | Capacity control valve | |
| V2 | Capacity control valve | |
| V3 | Capacity control valve | |

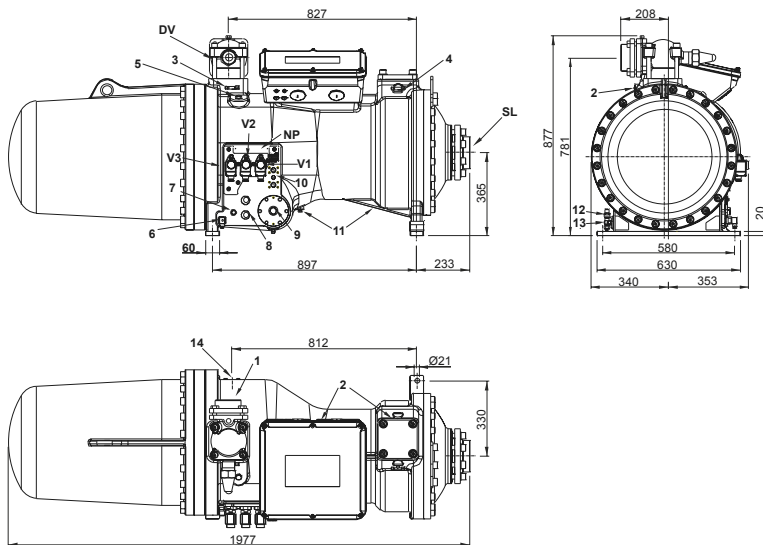
Dimensional drawing

CX9 - 810-912 m³/h



STANDARD

WITH AXIAL SUCTION

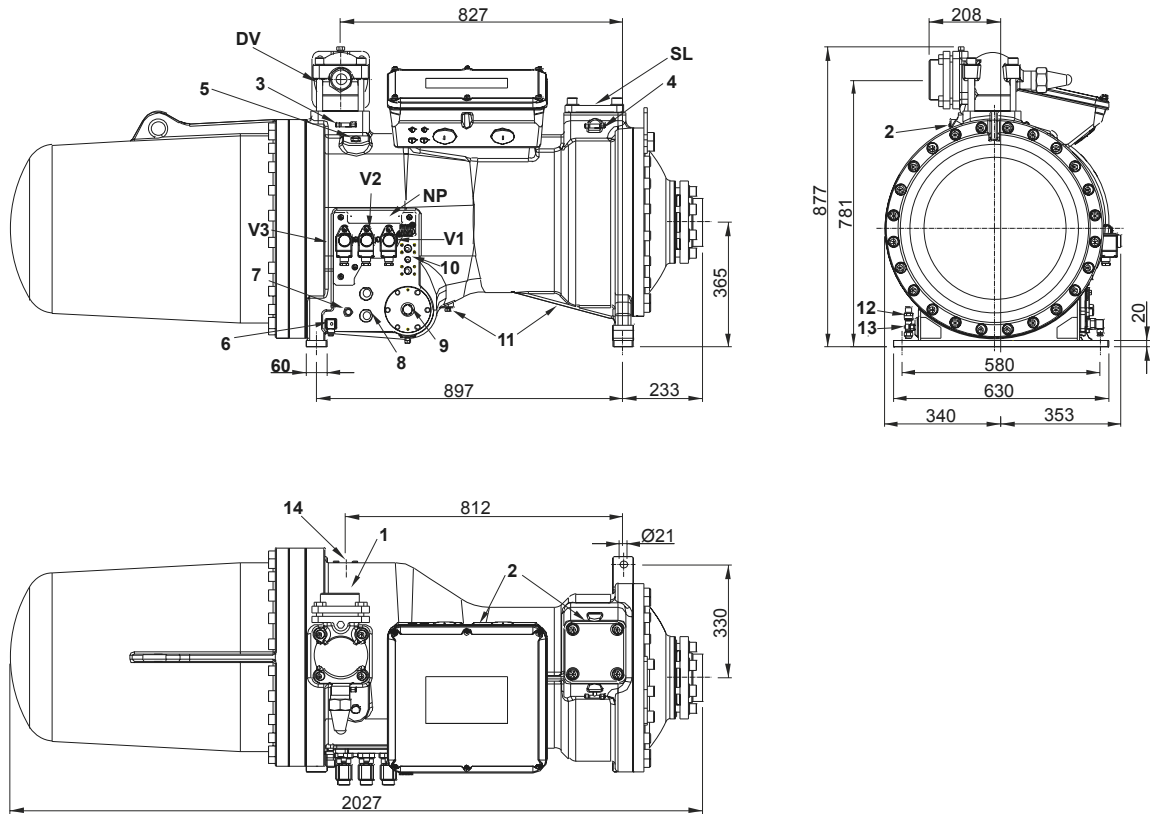


29

| | | |
|----|-----------------------------------|---------------------|
| 1 | High pressure connection | 1/8" NPT |
| 2 | Low pressure connection | 1/8" NPT |
| 3 | High pressure connection | 1/4" SAE x 1/4" SAE |
| 4 | Low pressure connection | 1/4" SAE x 1/4" SAE |
| 5 | Oil charge plug | 3/8" GAS |
| 6 | Crankcase heater | |
| 7 | Oil level regulator connection | 3/4" NPT |
| 8 | Oil level sight glass | |
| 9 | Filter clogging sensor connection | 1/2" GAS |
| 10 | Oil cooler connection | 1/2" NPT |
| 11 | Oil drain plug | 1/4" NPT |
| 12 | Oil drain valve | 1/8" NPT |
| 13 | Maximum oil temperature sensor | |
| 14 | ECO/Liquid injection connection | 1-1/8" |
| SV | Suction valve | DN125 |
| DV | Discharge valve | 4-1/8" - 105 mm |
| SL | Suction line | DN125 |
| V1 | Capacity control valve | |
| V2 | Capacity control valve | |
| V3 | Capacity control valve | |

Dimensional drawing

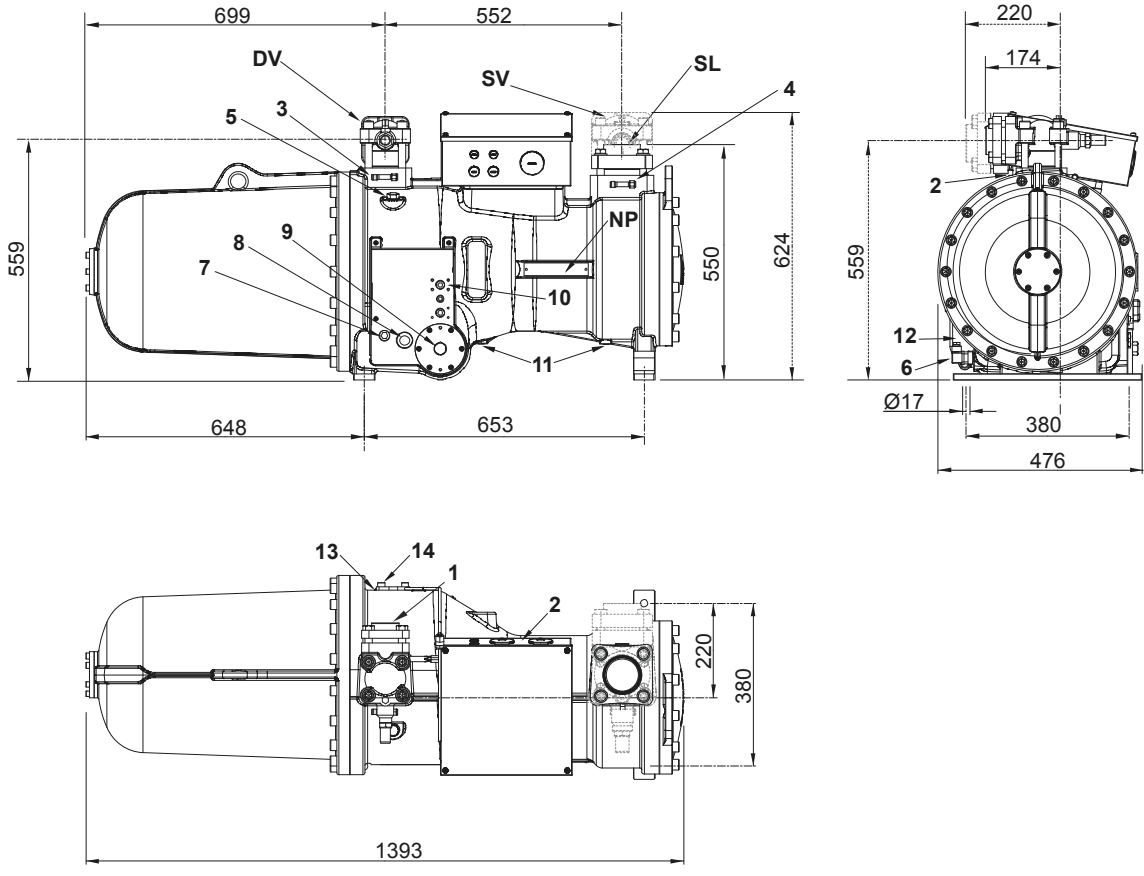
CX9 - 1000-1085 m³/h



30

| | | |
|----|-----------------------------------|---------------------|
| 1 | High pressure connection | 1/8" NPT |
| 2 | Low pressure connection | 1/8" NPT |
| 3 | High pressure connection | 1/4" SAE x 1/4" SAE |
| 4 | Low pressure connection | 1/4" SAE x 1/4" SAE |
| 5 | Oil charge plug | 3/8" GAS |
| 6 | Crankcase heater | |
| 7 | Oil level regulator connection | 3/4" NPT |
| 8 | Oil level sight glass | |
| 9 | Filter clogging sensor connection | 1/2" GAS |
| 10 | Oil cooler connection | 1/2" NPT |
| 11 | Oil drain plug | 1/4" NPT |
| 12 | Oil drain valve | 1/8" NPT |
| 13 | Maximum oil temperature sensor | |
| 14 | ECO/Liquid injection connection | 1-1/8" |
| SV | Suction valve | DN125 |
| DV | Discharge valve | 4-1/8" - 105 mm |
| SL | Suction line | DN125 |
| V1 | Capacity control valve | |
| V2 | Capacity control valve | |
| V3 | Capacity control valve | |

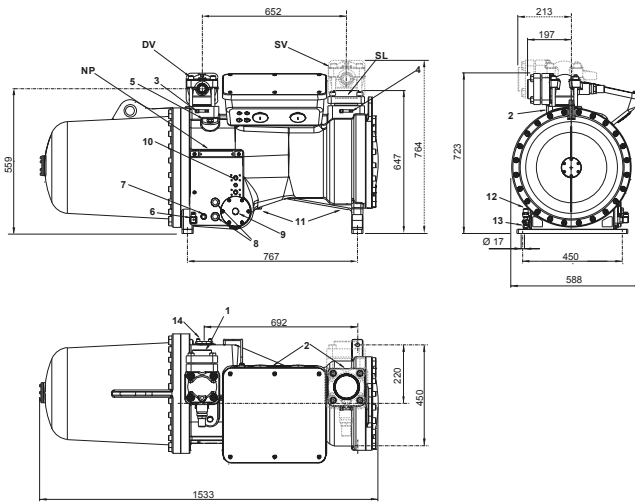
CXH10-CXW10



| | | |
|----|-----------------------------------|---------------------|
| 1 | High pressure connection | 1/8" NPT |
| 2 | Low pressure connection | 1/8" NPT |
| 3 | High pressure connection | 1/4" SAE x 1/4" SAE |
| 4 | Low pressure connection | 1/4" SAE x 1/4" SAE |
| 5 | Oil charge plug | 3/8" GAS |
| 6 | Crankcase heater | |
| 7 | Oil level regulator connection | 3/4" NPT |
| 8 | Oil level sight glass | |
| 9 | Filter clogging sensor connection | 1/2" GAS |
| 10 | Oil cooler connection | 1/2" NPT |
| 11 | Oil drain plug | 1/4" NPT |
| 12 | Oil drain valve | 1/8" NPT |
| 13 | Maximum oil temperature sensor | |
| 14 | ECO/Liquid injection connection | 1-1/8" |
| SV | Suction valve | 3-1/8" - 80 mm |
| DV | Discharge valve | 2-1/8" - 54 mm |
| SL | Suction line | 3-1/8" |

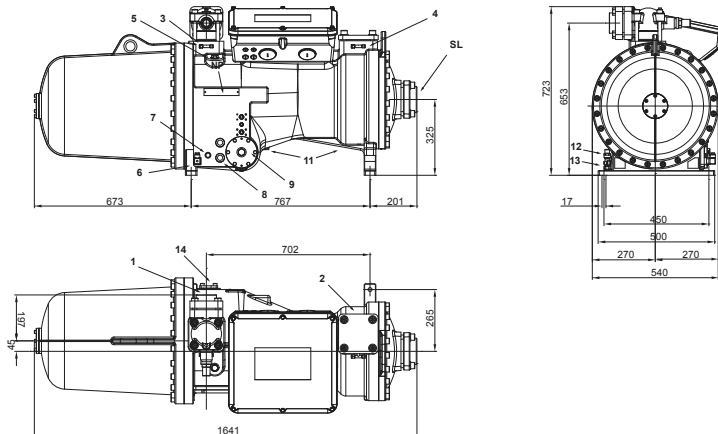
Dimensional drawing

CXHI5-CXWI5



STANDARD

WITH AXIAL SUCTION

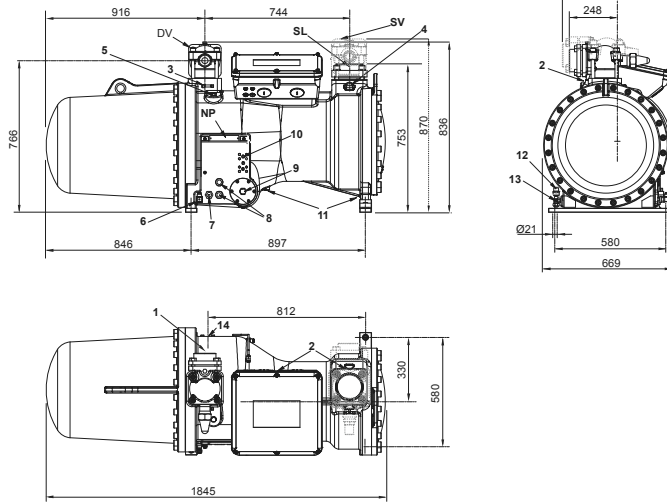


32

| | | |
|----|-----------------------------------|---------------------|
| 1 | High pressure connection | 1/8" NPT |
| 2 | Low pressure connection | 1/8" NPT |
| 3 | High pressure connection | 1/4" SAE x 1/4" SAE |
| 4 | Low pressure connection | 1/4" SAE x 1/4" SAE |
| 5 | Oil charge plug | 3/8" GAS |
| 6 | Crankcase heater | |
| 7 | Oil level regulator connection | 3/4" NPT |
| 8 | Oil level sight glass | |
| 9 | Filter clogging sensor connection | 1/2" GAS |
| 10 | Oil cooler connection | 1/2" NPT |
| 11 | Oil drain plug | 1/4" NPT |
| 12 | Oil drain valve | 1/8" NPT |
| 13 | Maximum oil temperature sensor | |
| 14 | ECO/Liquid injection connection | 1-1/8" |
| SV | Suction valve | 4-1/8" - 105 mm |
| DV | Discharge valve | DN80 |
| SL | Suction line | 4-1/8" |

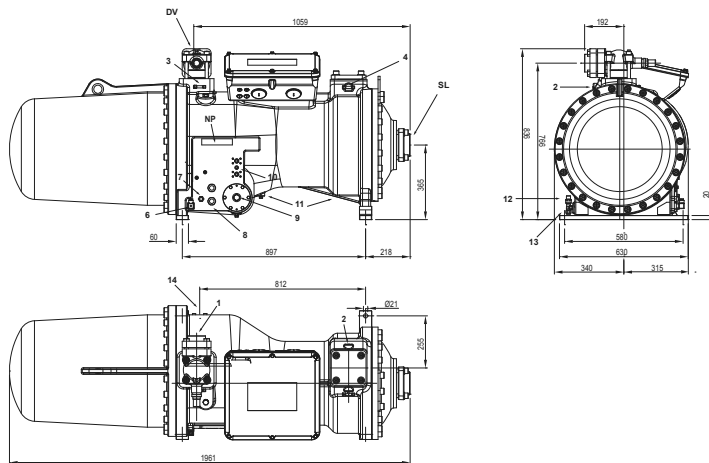
Dimensional drawing

CXI9-545-702 m³/h



STANDARD

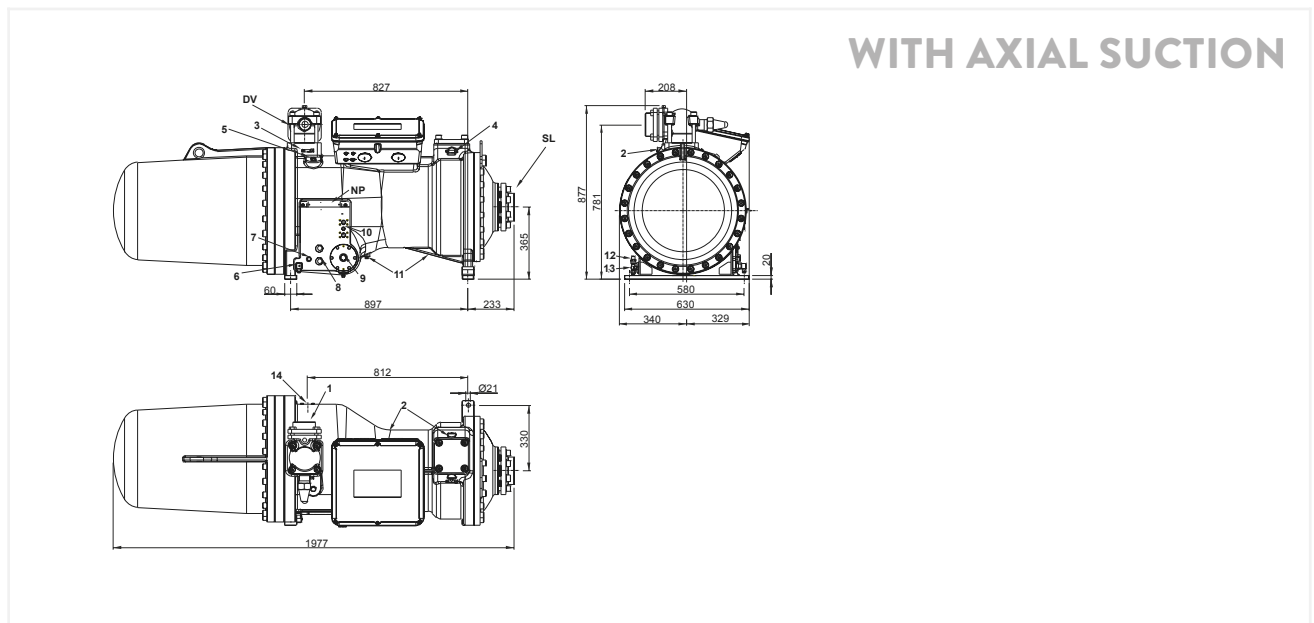
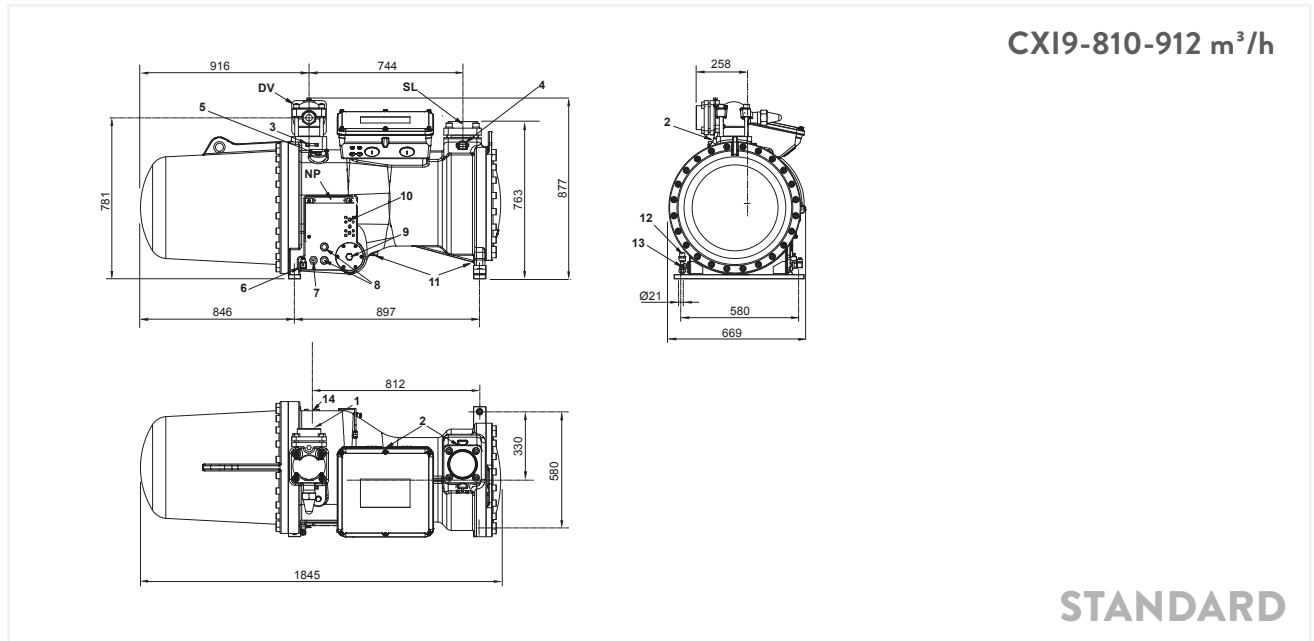
WITH AXIAL SUCTION



33

| | | |
|----|-----------------------------------|---------------------|
| 1 | High pressure connection | 1/8" NPT |
| 2 | Low pressure connection | 1/8" NPT |
| 3 | High pressure connection | 1/4" SAE x 1/4" SAE |
| 4 | Low pressure connection | 1/4" SAE x 1/4" SAE |
| 5 | Oil charge plug | 3/8" GAS |
| 6 | Crankcase heater | |
| 7 | Oil level regulator connection | 3/4" NPT |
| 8 | Oil level sight glass | |
| 9 | Filter clogging sensor connection | 1/2" GAS |
| 10 | Oil cooler connection | 1/2" NPT |
| 11 | Oil drain plug | 1/4" NPT |
| 12 | Oil drain valve | 1/8" NPT |
| 13 | Maximum oil temperature sensor | |
| 14 | ECO/Liquid injection connection | 1-1/8" |
| SV | Suction valve | 4-1/8" - 105 mm |
| DV | Discharge valve | DN80 |
| SL | Suction line | 4-1/8" |

Dimensional drawing

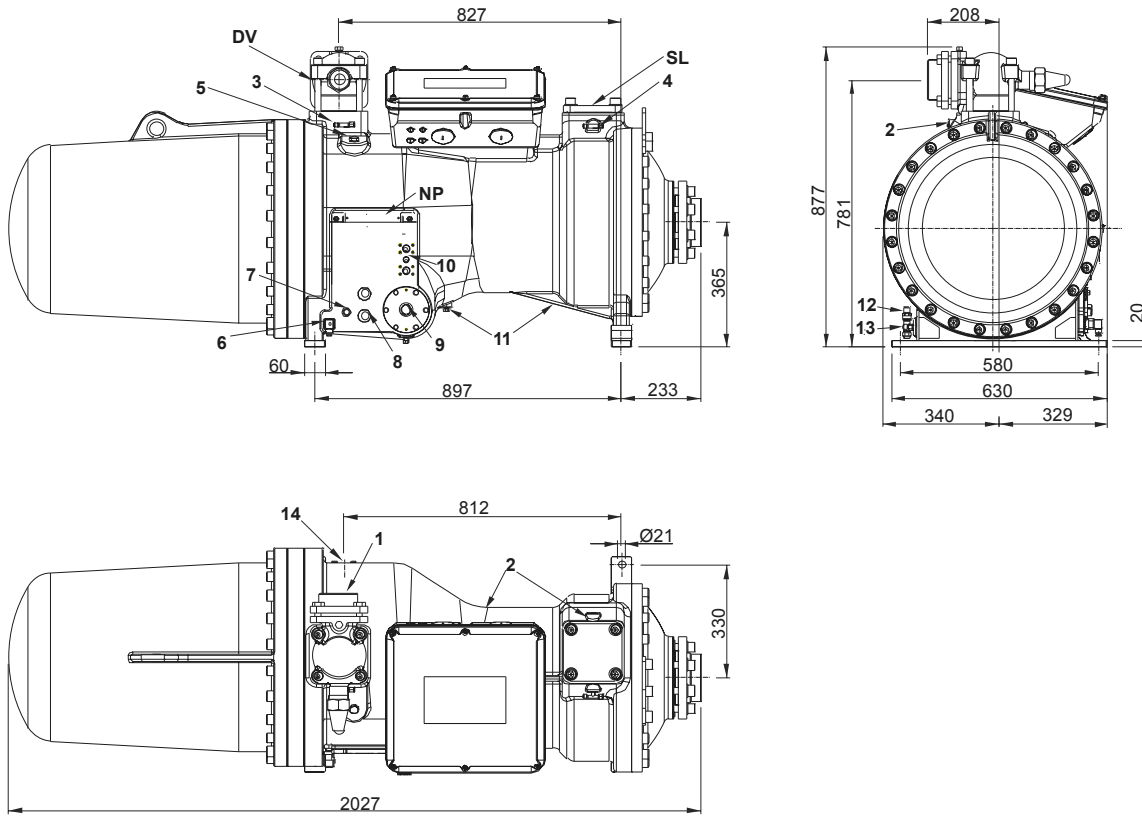


34

| | | |
|----|-----------------------------------|---------------------|
| 1 | High pressure connection | 1/8" NPT |
| 2 | Low pressure connection | 1/8" NPT |
| 3 | High pressure connection | 1/4" SAE x 1/4" SAE |
| 4 | Low pressure connection | 1/4" SAE x 1/4" SAE |
| 5 | Oil charge plug | 3/8" GAS |
| 6 | Crankcase heater | |
| 7 | Oil level regulator connection | 3/4" NPT |
| 8 | Oil level sight glass | |
| 9 | Filter clogging sensor connection | 1/2" GAS |
| 10 | Oil cooler connection | 1/2" NPT |
| 11 | Oil drain plug | 1/4" NPT |
| 12 | Oil drain valve | 1/8" NPT |
| 13 | Maximum oil temperature sensor | |
| 14 | ECO/Liquid injection connection | 1-1/8" |
| SV | Suction valve | DN125 |
| DV | Discharge valve | 4-1/8" - 105 mm |
| SL | Suction line | DN125 |
| 14 | ECO/Liquid injection connection | 1-1/8" |

Dimensional drawing

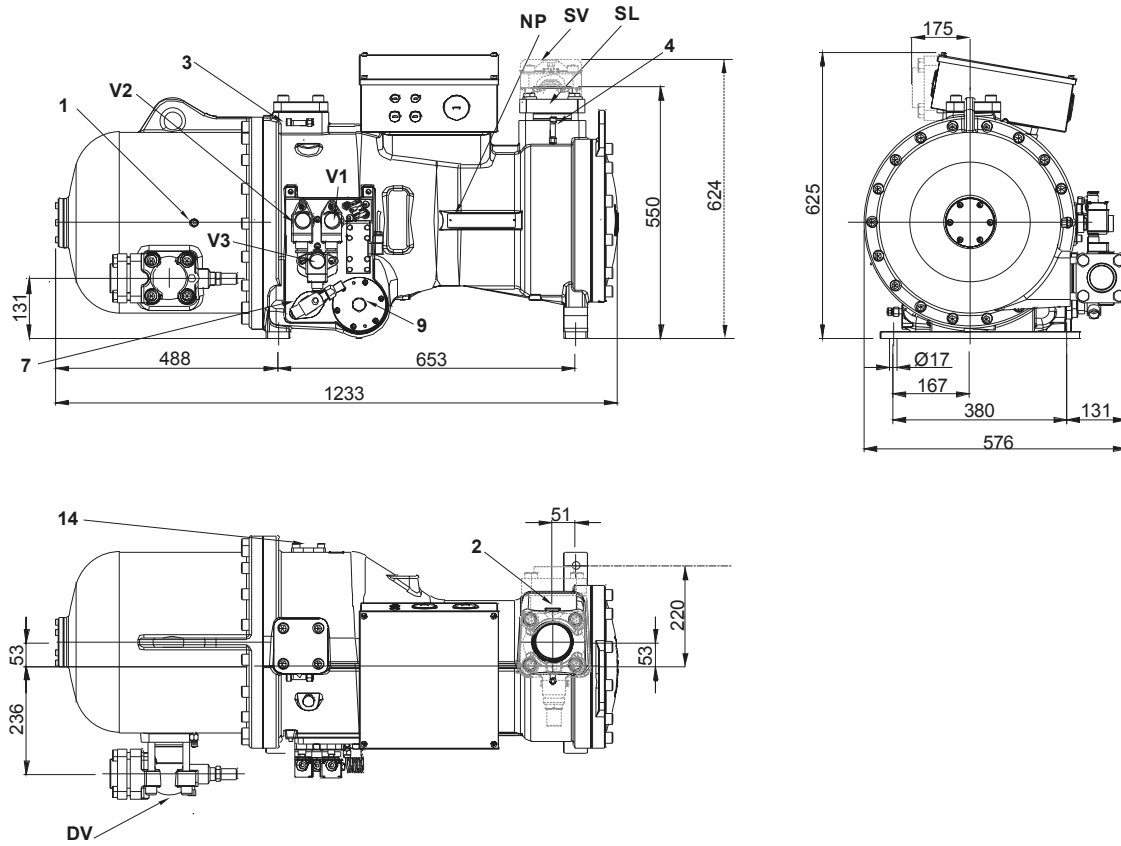
CXI9-1000-1085 m³/h



35

| | | |
|----|-----------------------------------|---------------------|
| 1 | High pressure connection | 1/8" NPT |
| 2 | Low pressure connection | 1/8" NPT |
| 3 | High pressure connection | 1/4" SAE x 1/4" SAE |
| 4 | Low pressure connection | 1/4" SAE x 1/4" SAE |
| 5 | Oil charge plug | 3/8" GAS |
| 6 | Crankcase heater | |
| 7 | Oil level regulator connection | 3/4" NPT |
| 8 | Oil level sight glass | |
| 9 | Filter clogging sensor connection | 1/2" GAS |
| 10 | Oil cooler connection | 1/2" NPT |
| 11 | Oil drain plug | 1/4" NPT |
| 12 | Oil drain valve | 1/8" NPT |
| 13 | Maximum oil temperature sensor | |
| 14 | ECO/Liquid injection connection | 1-1/8" |
| SV | Suction valve | DN125 |
| DV | Discharge valve | 4-1/8" - 105 mm |
| SL | Suction line | DN125 |
| 14 | ECO/Liquid injection connection | 1-1/8" |

CXHP0-CXWP0

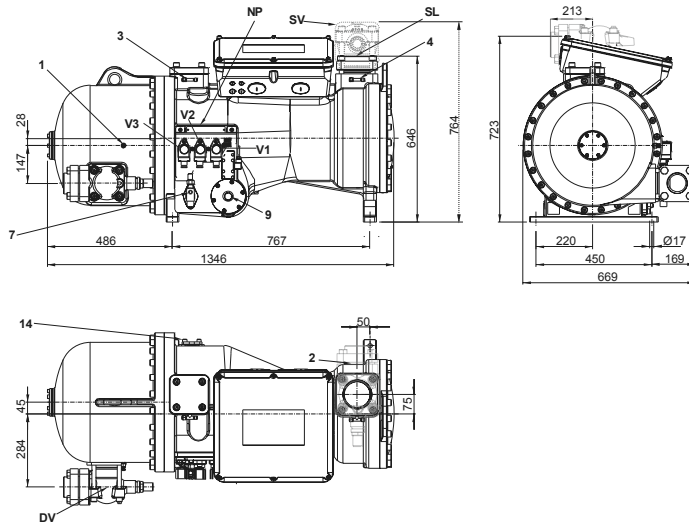


36

| | | |
|----|-----------------------------------|---------------------|
| 1 | High pressure connection | 1/8" NPT |
| 2 | Low pressure connection | 1/8" NPT |
| 3 | High pressure connection | 1/4" SAE x 1/4" SAE |
| 4 | Low pressure connection | 1/4" SAE x 1/4" SAE |
| 5 | Oil charge plug | |
| 7 | Oil level regulator connection | 3/4" NPT |
| 9 | Filter clogging sensor connection | 1/2" GAS |
| SV | Suction valve | 3-1/8" - 80 mm |
| DV | Discharge valve | 2-1/8" - 54 mm |
| SL | Suction line | 3-1/8" |
| V1 | Capacity control valve | |
| V2 | Capacity control valve | |
| V3 | Capacity control valve | |
| 14 | ECO/Liquid injection connection | 1-1/8" |

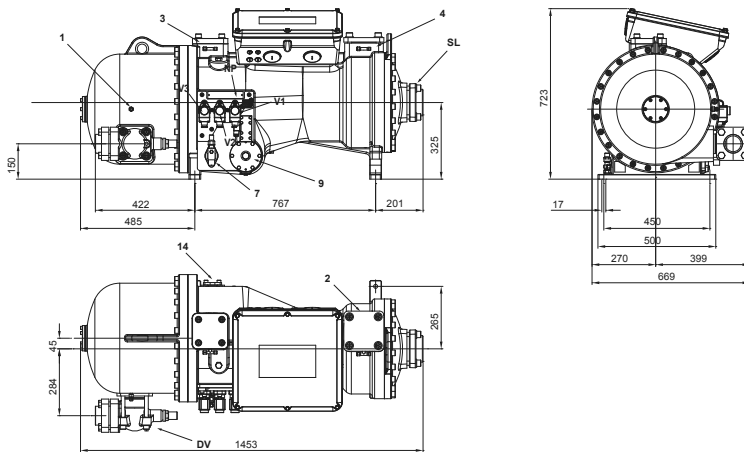
Dimensional drawing

CXHP5-CXWP5



STANDARD

WITH AXIAL SUCTION

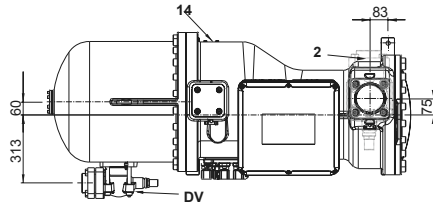
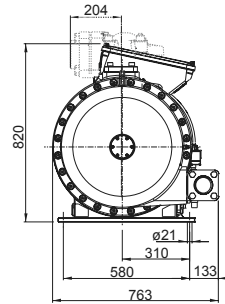
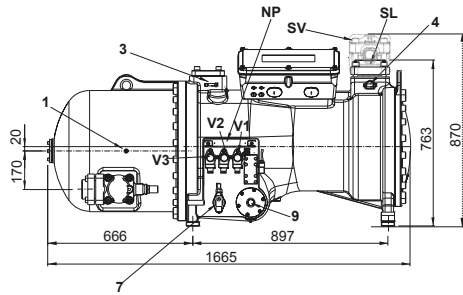


37

| | | |
|----|-----------------------------------|---------------------|
| 1 | High pressure connection | 1/8" NPT |
| 2 | Low pressure connection | 1/8" NPT |
| 3 | High pressure connection | 1/4" SAE x 1/4" SAE |
| 4 | Low pressure connection | 1/4" SAE x 1/4" SAE |
| 5 | Oil charge plug | |
| 7 | Oil level regulator connection | 3/4" NPT |
| 9 | Filter clogging sensor connection | 1/2" GAS |
| SV | Suction valve | 4-1/8" - 105 mm |
| DV | Discharge valve | DN80 |
| SL | Suction line | 4-1/8" |
| V1 | Capacity control valve | |
| V2 | Capacity control valve | |
| V3 | Capacity control valve | |
| 14 | ECO/Liquid injection connection | 1-1/8" |

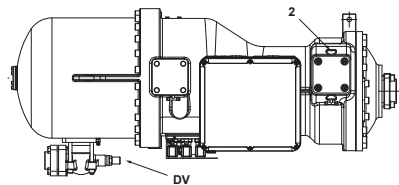
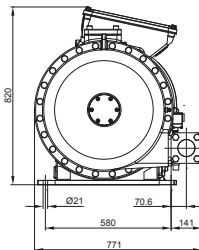
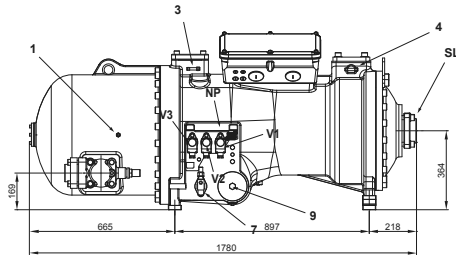
CXP9-545-702 m³/h

CXHP91 - CXWP91



STANDARD

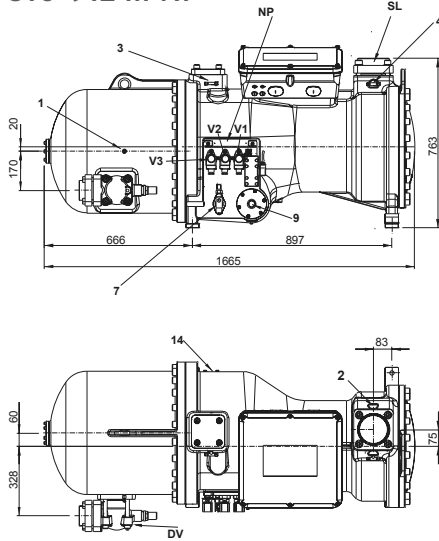
CON ASPIRAZIONE ASSIALE



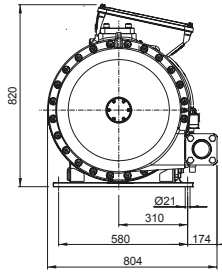
| | | |
|----|-----------------------------------|---------------------|
| 1 | High pressure connection | 1/8" NPT |
| 2 | Low pressure connection | 1/8" NPT |
| 3 | High pressure connection | 1/4" SAE x 1/4" SAE |
| 4 | Low pressure connection | 1/4" SAE x 1/4" SAE |
| 5 | Oil charge plug | |
| 7 | Oil level regulator connection | 3/4" NPT |
| 9 | Filter clogging sensor connection | 1/2" GAS |
| SV | Suction valve | 4-1/8" - 105 mm |
| DV | Discharge valve | DN80 |
| SL | Suction line | 4 1/8" |
| V1 | Capacity control valve | |
| V2 | Capacity control valve | |
| V3 | Capacity control valve | |
| 14 | ECO/Liquid injection connection | 1-1/8" |

Dimensional drawing

CXP9-810-912 m³/h

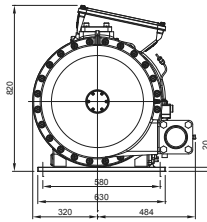
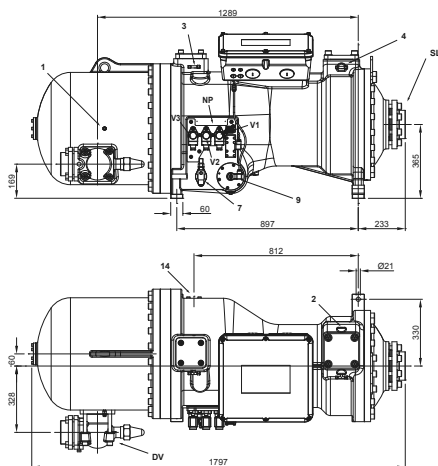


CXHP92 - CXWP92



STANDARD

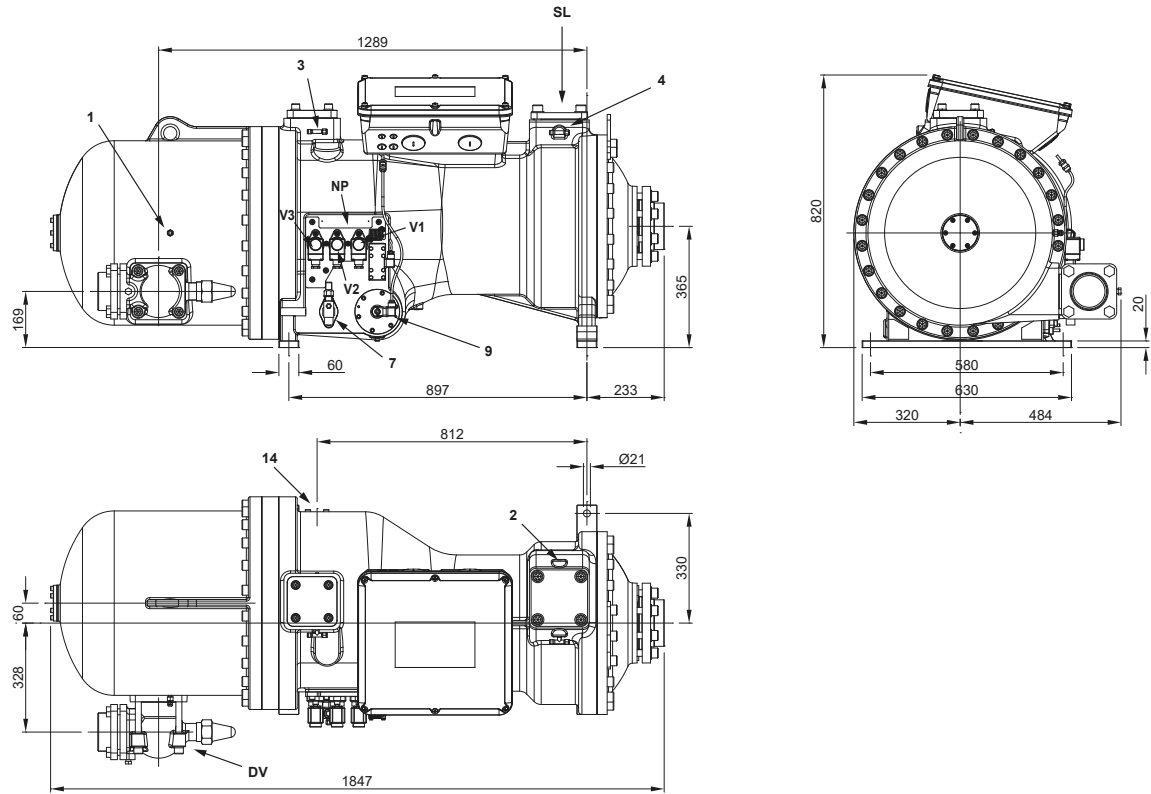
CON ASPIRAZIONE ASSIALE



39

| | | |
|----|-----------------------------------|---------------------|
| 1 | High pressure connection | 1/8" NPT |
| 2 | Low pressure connection | 1/8" NPT |
| 3 | High pressure connection | 1/4" SAE x 1/4" SAE |
| 4 | Low pressure connection | 1/4" SAE x 1/4" SAE |
| 5 | Oil charge plug | |
| 7 | Oil level regulator connection | 3/4" NPT |
| 9 | Filter clogging sensor connection | 1/2" GAS |
| SV | Suction valve | DN125 |
| DV | Discharge valve | 4-1/8" - 105 mm |
| SL | Suction line | DN125 |
| V1 | Capacity control valve | |
| V2 | Capacity control valve | |
| V3 | Capacity control valve | |

CXP9-1000-1085 m³/h



| | | |
|----|-----------------------------------|---------------------|
| 1 | High pressure connection | 1/8" NPT |
| 2 | Low pressure connection | 1/8" NPT |
| 3 | High pressure connection | 1/4" SAE x 1/4" SAE |
| 4 | Low pressure connection | 1/4" SAE x 1/4" SAE |
| 5 | Oil charge plug | |
| 7 | Oil level regulator connection | 3/4" NPT |
| 9 | Filter clogging sensor connection | 1/2" GAS |
| SV | Suction valve | DN125 |
| DV | Discharge valve | 4-1/8" - 105 mm |
| SL | Suction line | DN125 |
| V1 | Capacity control valve | |
| V2 | Capacity control valve | |
| V3 | Capacity control valve | |

CONTACT & SUBSIDIARIES





HEADQUARTERS & PRODUCTION PLANT

FRASCOLD SPA - ITALY, MILAN

Via B. Melzi 105, 20027 Rescaldina (MI) Italy
Tel. +39 0331 742201 - Fax +39 0331 576102
frascold@frascold.it - www.frascold.it

SALES OFFICE

FRASCOLD CHINA

Frascold Refrigeration Co. Ltd
Room 612, 6th Floor,
Jinqiao Life Hub, No.3611
Zhangyang Road, New Pudong District,
Shanghai, CHINA
Ph. +86 021 58650192 / 58650180
Fax +86 021 58650180 - frascold.china@frascold.net

FRASCOLD INDIA PVT LTD

Frascold India Pvt Ltd.
A1/2/14/15, Gallops Industrial Park,
NH-8A, Sarkhej-Bavla Road, Rajoda,
Ahmedabad 382220 Gujarat. INDIA
Ph: +91 2717 685858,
sales@frascoldindia.com - www.frascoldindia.com

FRASCOLD USA

5343 Bowden Road, Suite 2
Jacksonville, FL 32216 - Ph. +1 (855) 547 5600 Office
info@frascoldusa.com - www.frascoldusa.com

CDU ASSEMBLY PLANT

Frascold India Pvt Ltd.
A172715716, Gallops Industrial Park,
NH-8A, Sarkhej-Bavla Rd, Rajoda,
Ahmedabad, Gujarat 382220

